

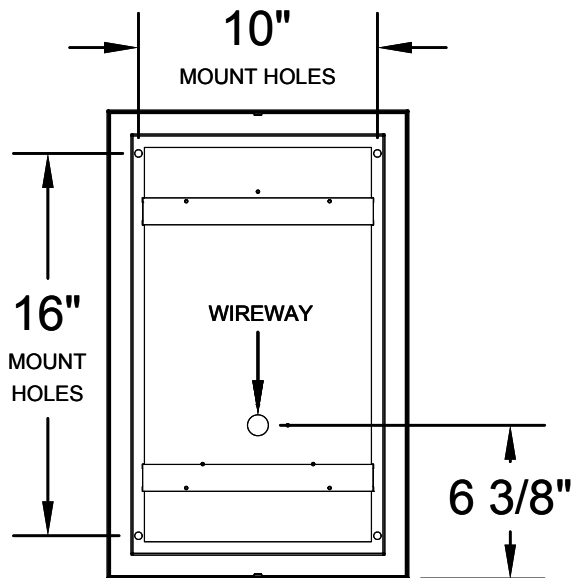
# INSTALLATION & MAINTENANCE INSTRUCTIONS

## ZENITH SM

Outdoor Vertical Wall Mounted Luminaire



### INSTALLATION



- 1] Remove any excess packing from the fixture.
- 2] The Zenith Sm is designed to be mounted directly to a flat surface with four #8 wall anchors.
- 3] Remove the screws on the top and bottom. Remove the Lens Frame & Lens, and set aside for re-installation.
- 4] NOTE: TURN OFF CIRCUIT THAT FIXTURE IS BEING WIRED TO AT CIRCUIT BREAKER PRIOR TO CONNECTING FIXTURE LEADS.
- 5] Connect the fixture leads to the supply leads. Teron stipulates the Black as Line; White as Common; Bare as Ground.
- 6] Install Lamp(s)
- 7] Check the re-lamp label to ensure that the lamp is the specified wattage. Fluorescent lamps will not snap into incorrect lampholders.
- 8] Re-install the Lens Frame & Lens.
- 9] Outdoor wall fixtures must be caulked with a suitable waterproof sealant across the top, and at least 2" down each side of the fixture to properly seal it to the mounting surface. A small space should be open at the bottom for excess moisture runoff.
- 10] Restore power to circuit.

**NOTE: THIS PRODUCT MUST BE INSTALLED IN ACCORDANCE WITH THE APPLICABLE INSTALLATION CODE BY A PERSON FAMILIAR WITH THE CONSTRUCTION AND OPERATION OF THE PRODUCT AND THE HAZARDS INVOLVED.**

### MAINTENANCE

The lens should be cleaned once every 6 months. The lens panels must be washed in a mild soap solution. DO NOT use cleansers containing bleach.

The metal portion of the fixture can be wiped clean as needed using a mild soap solution.

ATTENTION: Avoid moving any exposed wires. If any wires are accidentally disconnected, call a professional to repair.

These instructions are general to the fixture noted. Due to the numerous options, all variations may not be covered.

Installation of an electrical luminaire must be performed by a qualified professional. The fixture must be wired in accordance to all local & national electrical codes.