



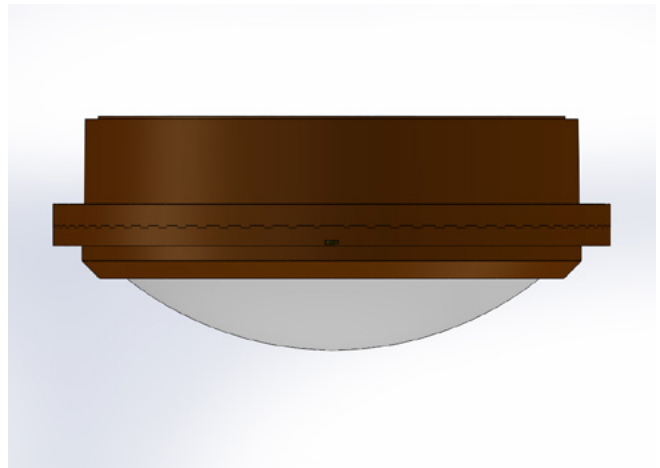
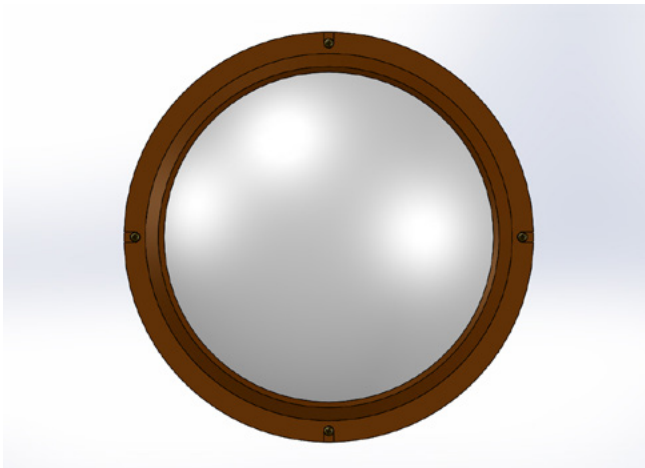
INSTALLATION & MAINTENANCE INSTRUCTIONS Heritage RND & OV LED

ARCHITECTURAL OUTDOOR

P.N. 76082

WARNING: DISCONNECT POWER PRIOR TO INSTALLATION OR SERVICING OF FIXTURE

NOTE: THIS PRODUCT MUST BE INSTALLED IN ACCORDANCE WITH THE APPLICABLE LOCAL & NATIONAL ELECTRICAL CODES BY A PERSON FAMILIAR WITH THE CONSTRUCTION AND FAMILIAR WITH THE OPERATION OF THE PRODUCT AND HAZARDS INVOLVED.



INSTALLATION

1. Make sure the power to the area working in is shut off to avoid serious injury from electrical shock.
2. Remove any excess packing from the fixture.
3. Remove (4) screws securing the lens frame to the housing, set lens aside.
4. Remove (4) screws securing reflector to housing, set aside.
5. Remove (4) screws securing the component plate at the bottom of the fixture.
6. Push out appropriate knock out on the back of housing to mate to junction box.
7. Be sure to pull the supply leads into the housing before the fixture is fastened to the mounting surface.
8. Mount Heritage LED to j-box (not supplied) using applicable knockouts.
9. Connect the fixture leads to the supply leads. TLI stipulates the Black as Line; White as Common; Bare/Green as Ground. Connections should be made in the compartment opposite the lamp compartment. Make sure no wires rest against the reflector.
10. Restore power to fixture to ensure fixture is working properly.
11. Follow steps 3-5 in opposite order to re-assemble fixture.
12. Outdoor wall fixtures must be caulked with a suitable waterproof sealant across the top, and at least 1" down each side of the fixture to properly seal it to the mounting surface. A small space should be open at the bottom for excess moisture runoff.
13. Fill rough or uneven surfaces, mortar joints, and any exterior holes with silicone sealant.

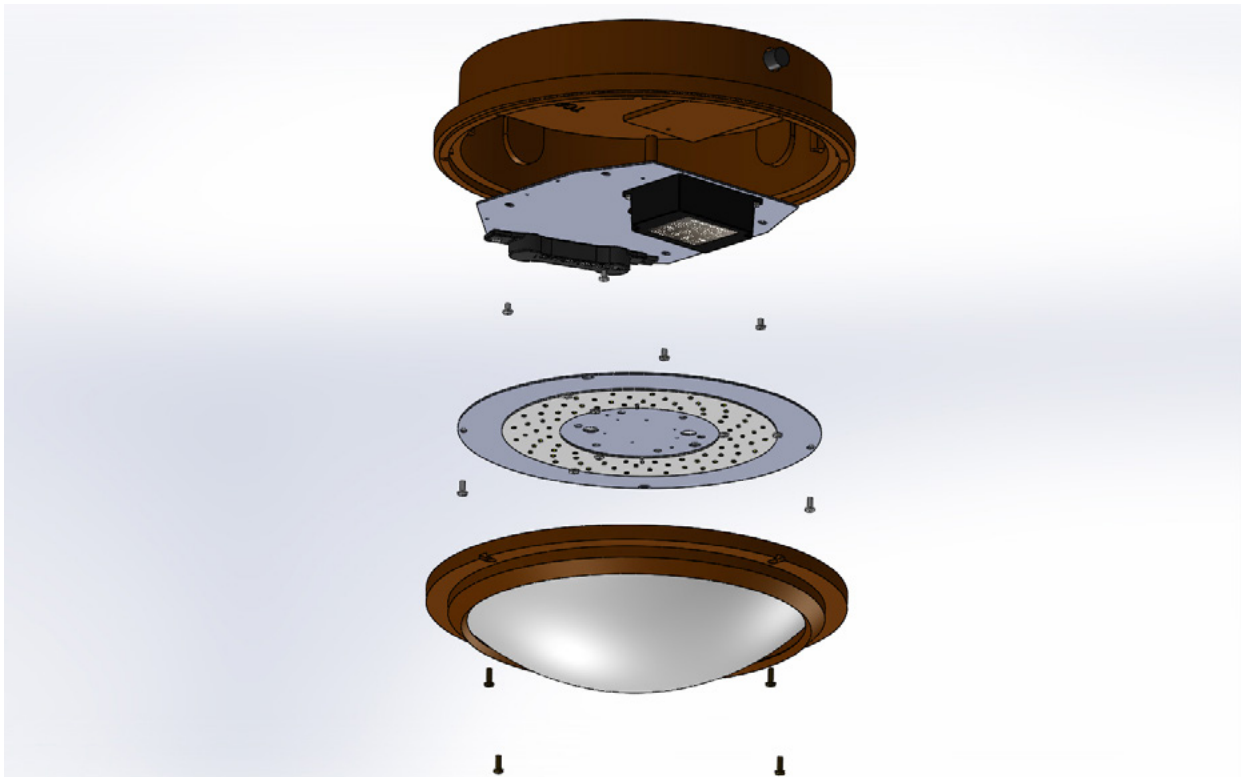
MAINTENANCE

DO NOT use cleansers containing bleach.

The metal portion of the fixture can be wiped clean as needed using a mild soap solution.

ATTENTION

Avoid moving any exposed wires. If any wires are accidentally disconnected, call a professional to repair.



Note: Optional photocell included in photo

WIRING DIAGRAM

