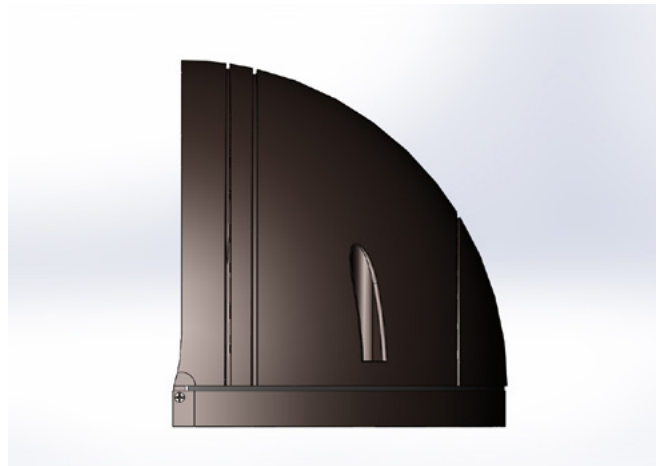
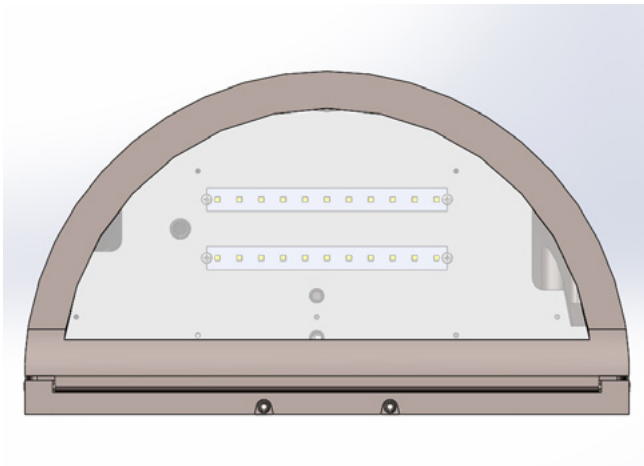




INSTALLATION & MAINTENANCE INSTRUCTIONS
Stadler LED, Stadler M LED
Wall Mounted Luminaire P.N. 76079

WARNING: DISCONNECT POWER PRIOR TO INSTALLATION OR SERVICING OF FIXTURE

NOTE: THIS PRODUCT MUST BE INSTALLED IN ACCORDANCE WITH THE APPLICABLE LOCAL & NATIONAL ELECTRICAL CODES BY A PERSON FAMILIAR WITH THE CONSTRUCTION AND FAMILIAR WITH THE OPERATION OF THE PRODUCT AND HAZARDS INVOLVED.



INSTALLATION

1. Make sure the power to the area working in is shut off to avoid serious injury from electrical shock.
2. Remove any excess packing from the fixture.
3. These fixtures are designed to be mounted directly to a J-Box (not included) via the included mounting plate. Remove the housing screws from the fixture, then open the door frame assembly. Install the lamp, then replace the door frame assembly and secure with the housing screws.
4. Install the provided self-adhesive gasket to the back of the mounting plate. Install the mounting plate to the J-Box. Seat the fixture onto the mounting plate, and secure with the retaining screws.
5. Connect the fixture leads to the supply leads. TLI stipulates the Black as Line; White as Common; Bare/Green as Ground. Connections should be made in the compartment opposite the ballast compartment. Make sure no wires rest against the reflector.
6. Outdoor wall fixtures must be caulked with a suitable waterproof sealant across the top, and at least 2" down each side of the fixture to properly seal it to the mounting surface. A small space should be open at the bottom for excess moisture runoff.
7. Note: Fill rough or uneven surfaces, mortar joints, and any exterior holes with silicone sealant.

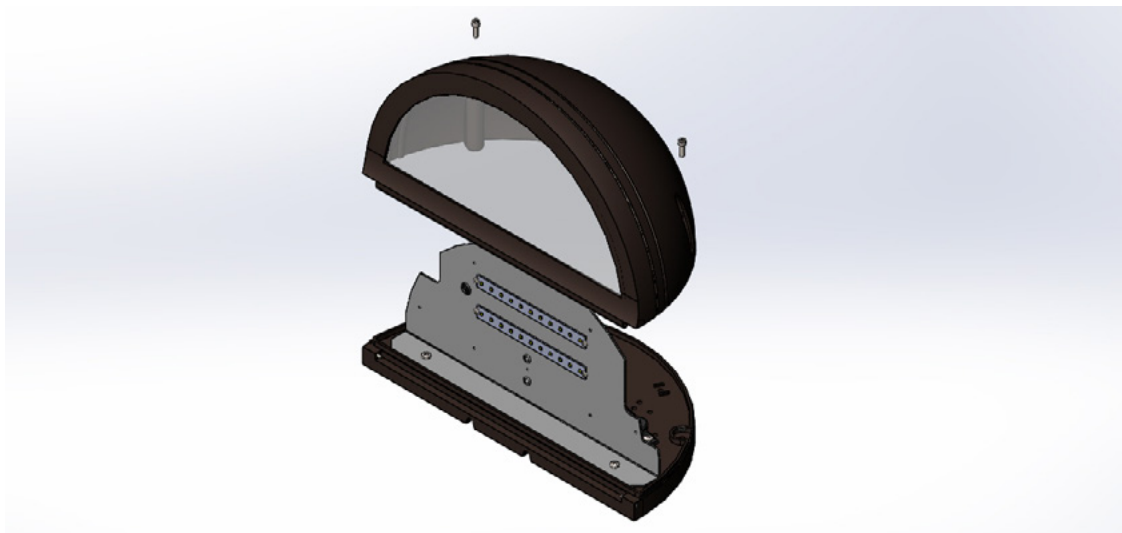
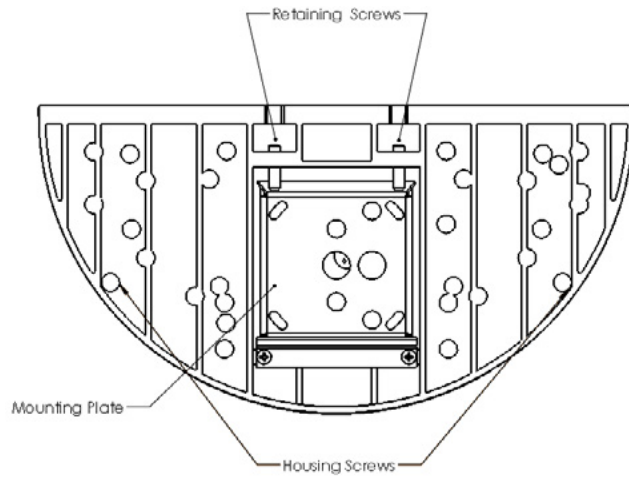
MAINTENANCE

DO NOT use cleansers containing bleach.

The metal portion of the fixture can be wiped clean as needed using a mild soap solution.

ATTENTION

Avoid moving any exposed wires. If any wires are accidentally disconnected, call a professional to repair.



WIRING DIAGRAM

