



**INSTALLATION & MAINTENANCE INSTRUCTIONS
FOR THE
TRITON ADA - LED
Wall Mounted Luminaire**

WARNING: DISCONNECT POWER PRIOR TO INSTALLATION OR SERVICING OF FIXTURE

NOTE: THIS PRODUCT MUST BE INSTALLED IN ACCORDANCE WITH THE APPLICABLE LOCAL & NATIONAL ELECTRICAL CODES BY A PERSON FAMILIAR WITH THE CONSTRUCTION AND FAMILIAR WITH THE OPERATION OF THE PRODUCT AND HAZARDS INVOLVED.

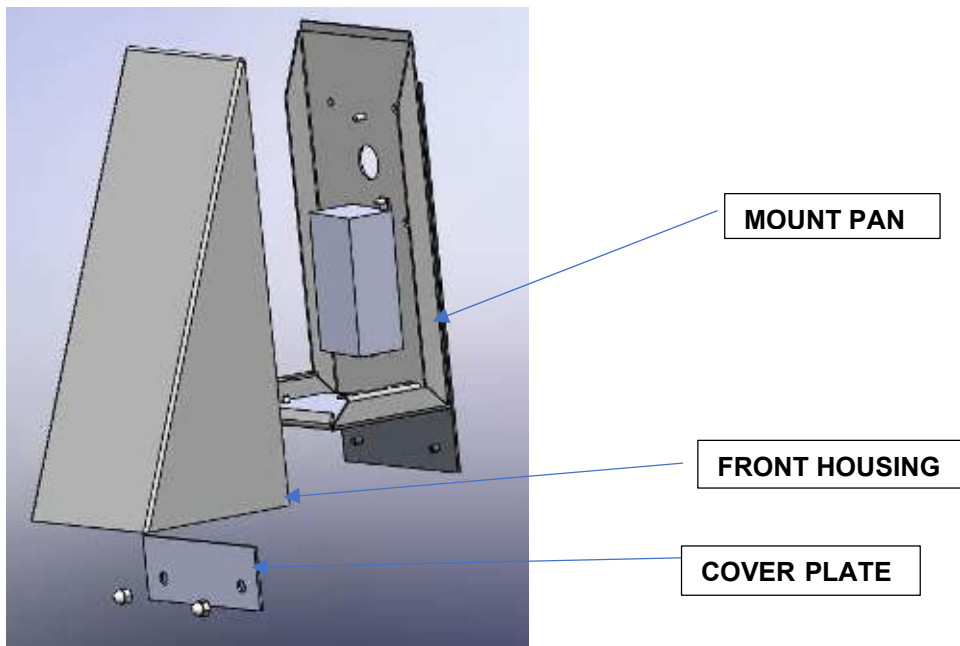


FIGURE 1.

INSTALLATION

1. Remove any excess packing from the fixture.
2. Remove front housing in Figure 1 by removing two nuts and the cover plate from the front of the fixture. Pull the housing out to just past the studs then slide straight up to unhook the top and finally straight out to remove. Save all parts for reinstalling the Housing.
3. Triton ADA fixtures are designed to be mounted to a flat wall surface with a 4" Octagonal J-Box (By Others).
4. Place a generous bead of silicone caulk around the J-Box. Feed the supply wires through the wire way and into the fixture. Mount the Triton ADA mount pan to the J-Box (By others)
5. Connect the fixture leads to the supply leads. Teron stipulates the Black as Line, White as Common, and Bare/Green as ground.

- Slide the Housing Hood over the mount pan lift up and push the top back until it engages behind the back pan. Slide the housing down until the studs line up with hole in housing bracket. Attach housing with cover plate and acorn nuts removed.

NOTE IMPORTANT:

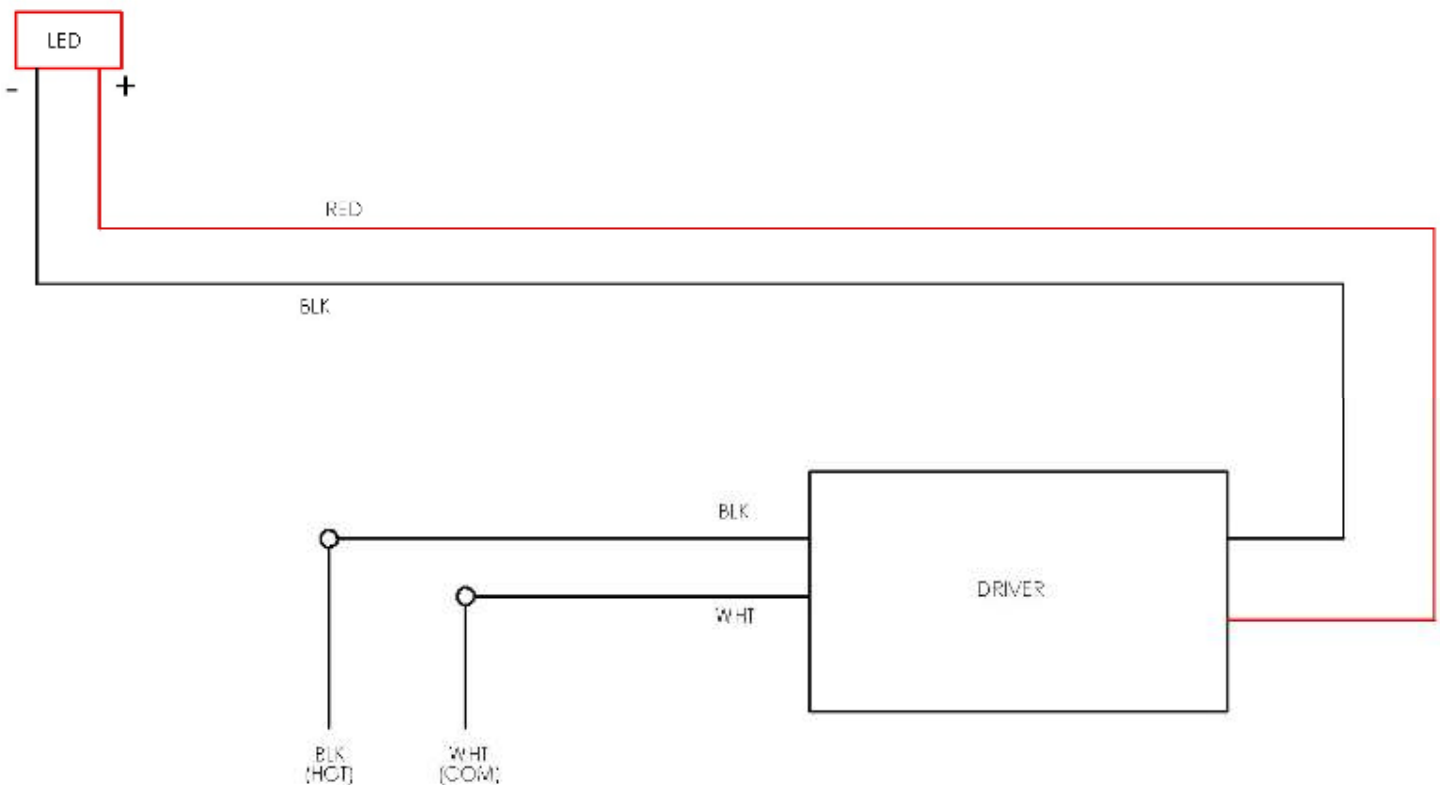
- Outdoor fixtures must be caulked across the top and down the sides to prevent water entry. A small area on the bottom should be left open for drainage.

MAINTENANCE

The lens should be cleaned once every 6 months. It must be washed in a mild soap solution. DO NOT use cleansers containing bleach.

The metal portion of the fixture can be wiped clean as needed using a mild soap solution.

ATTENTION: Avoid moving any exposed wires. If any wires are accidentally disconnected, call a professional to repair.



Generic Led Wiring Diagram