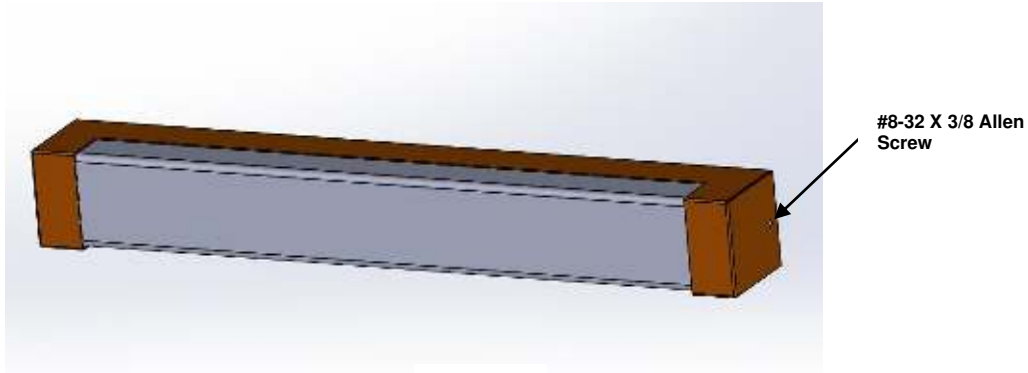




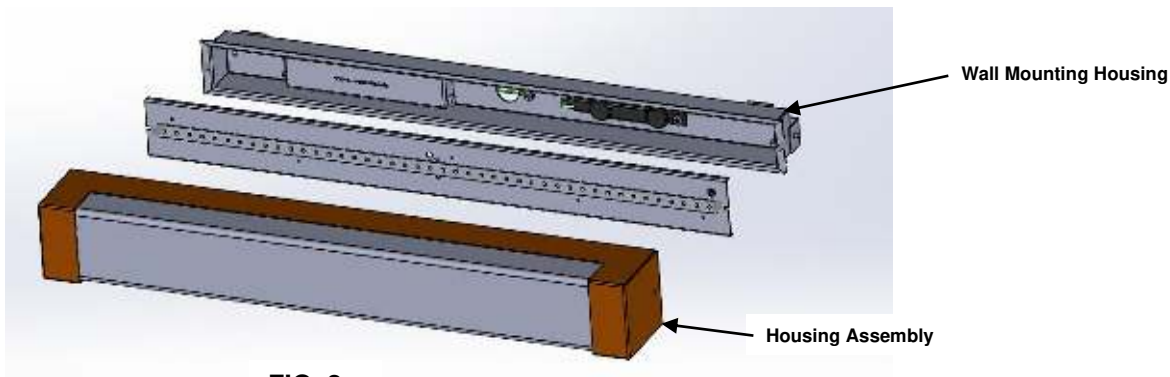
**INSTALLATION & MAINTENANCE INSTRUCTIONS  
FOR THE  
VICEROY WET - LED  
Wall Mounted Luminaire P.N.:76166 REV.1**

**WARNING:** DISCONNECT POWER PRIOR TO INSTALLATION OR SERVICING OF FIXTURE

**NOTE:** THIS PRODUCT MUST BE INSTALLED IN ACCORDANCE WITH THE APPLICABLE LOCAL & NATIONAL ELECTRICAL CODES BY A PERSON FAMILIAR WITH THE CONSTRUCTION AND FAMILIAR WITH THE OPERATION OF THE PRODUCT AND HAZARDS INVOLVED.



**FIG. 1**



**FIG. 2**

**INSTALLATION**

1. Remove any excess packing from the fixture.
2. Remove the Housing Assembly from wall mounting housing (in Figure 2) by removing the (2) #8-32 X 3/8 Allen Screws. See (Figure 1)  
Remove the LED Reflector assembly by loosening (2) #4-40 screws
3. Insert watertight connector and Pull the supply leads through the center hole in the Wall Mounting Housing.
4. Attach the Wall Mounting Plate to wall using (2) suitable fasteners (By Others)
5. Connect the fixture leads to the supply leads. Teron stipulates the Black as Line, White as Common, and Bare/Green as ground.
6. Caulk across top and down sides with a suitable exterior caulk. Leave an opening across the bottom to prevent any water accumulation.

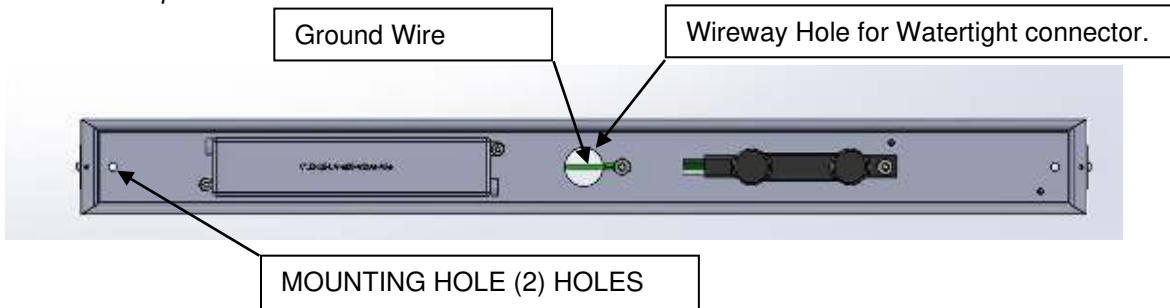
Reassemble fixture by reattaching the Housing Assembly to the Wall Mounting Housing and securing the assembly in place with (2) #8-32 x 3/8 Allen Screws  
 Caulk across top and down sides with a suitable exterior caulk. Leave an opening across the bottom to prevent any water accumulation

**MAINTENANCE**

DO NOT use cleansers containing bleach.

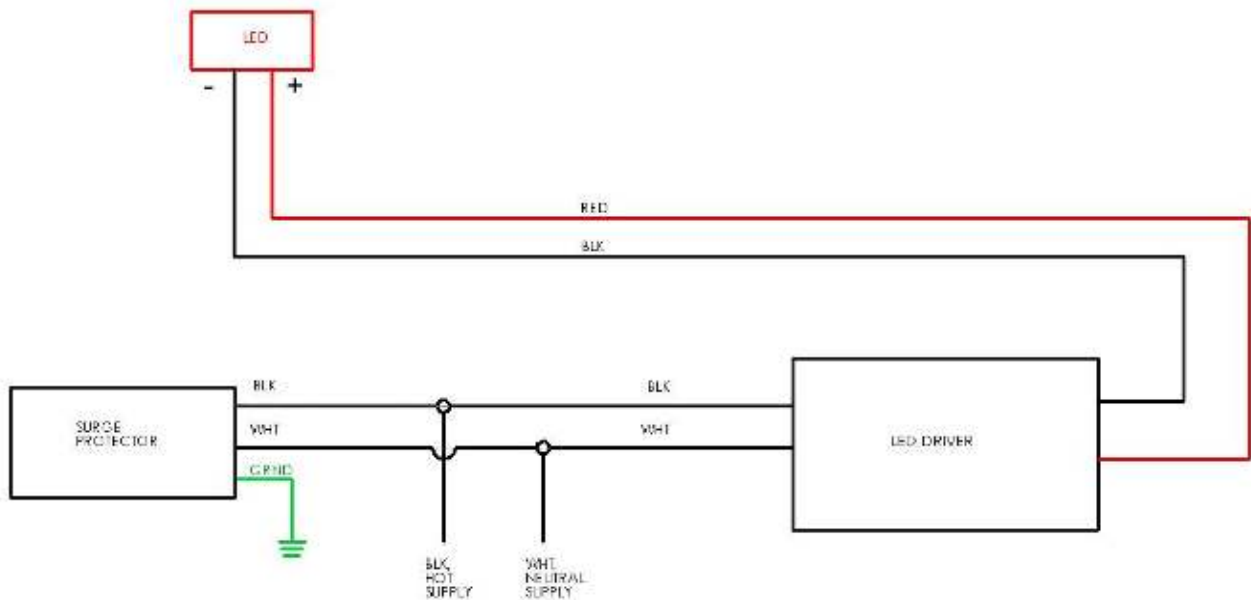
The metal portion of the fixture can be wiped clean as needed using a mild soap solution.

**ATTENTION:** Avoid moving any exposed wires. If any wires are accidentally disconnected, call a professional to repair.



**NOTE:** Fixture is to be mounted to wall using suitable fasteners  
 Caulk across top and down sides with a suitable exterior caulk.

MODEL	MTG HOLE C/C DISTANCE
VICEROY 1FT	10.55"
VICEROY 2FT	21.5"
VICEROY 3FT	33.5"
VICEROY 4FT	45.5"



WIRING DIAGRAM