

# FAULTLESS LED 11"

Architectural Indoor



PROJECT:	
TYPE:	
PO#:	QTY:
COMMENTS:	

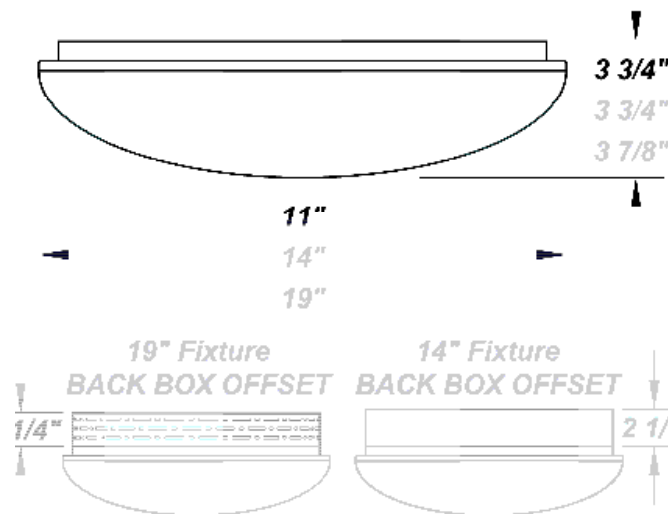
## FEATURES

- Steel Mounting Pan w/ Hi-Reflectance White Powder Coat Finish
- Luminous White Acrylic Diffuser
- Mounts Directly to 4" Junction Box (By Others)
- IES Files Available
- ADA Compliant
- CSA Listed Damp Location
- LED Light Fixture
- Mounting Hardware Included

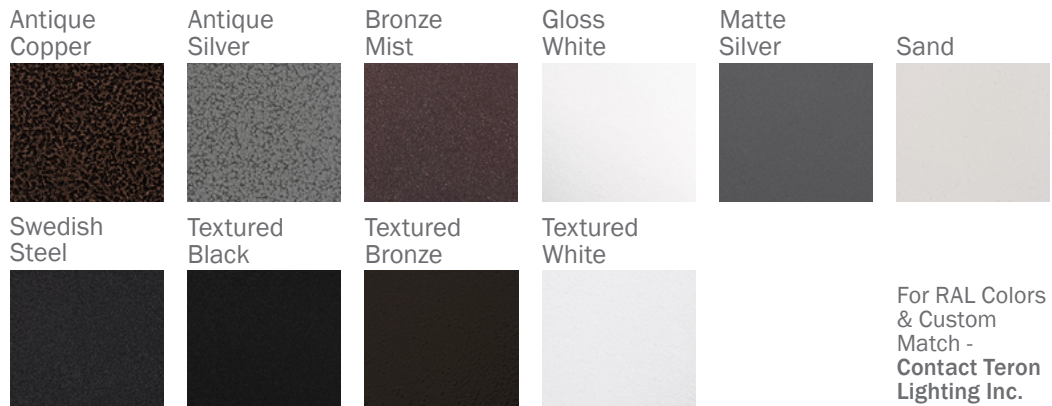


## LINE DRAWING

LINE DRAWING NOT TO SCALE



## FINISHES



# FAULTLESS LED 11"

Architectural Indoor



Fixture Core

PROJECT:	
TYPE:	
PO#:	QTY:
COMMENTS:	

PRODUCT CODE	SOURCE/WATTAGE	VOLTAGE	DIMMING DRIVER
<b>FS11</b> - Faultless 11"	<b>L13.5-ZE420</b> - (48) LED Array @ Line Voltage 4-Wire Dimming Driver (Dimmable 0 - 10V) <b>L17.0-ZE530</b> - (48) LED Array @530mA Line Voltage 4-Wire Dimming Driver (0-10V)	<b>120-277V</b> (50 / 60Hz)	<b>ZE - 0-10V Dimming</b>
ORDER INFO			
FS11 Example ^	L13.5-ZE420	120V	ZE

Aesthetics & Options

TRIM	FINISH	COLOR TEMP	OPTIONS
<b>Not Applicable</b>	<b>AC</b> - Antique Copper <b>TB</b> - Textured Black <b>AS</b> - Antique Silver <b>BT</b> - Bronze Mist <b>BZ</b> - Textured Bronze <b>WH</b> - Gloss White (Standard) <b>TW</b> - Textured White <b>SM</b> - Matte Silver <b>SN</b> - Sand <b>SW</b> - Swedish Steel	<b>30K</b> - 3000K Color Temp <b>35K</b> - 3500K Color Temp <b>40K</b> - 4000K Color Temp <b>50K</b> - 5000K Color Temp	<b>ALP</b> - Aluminum Mount Pan <b>EE/BB</b> - Bodine BSL26 - Up to 5.1W Emergency Illumination w/ LEDs (Back Box Required)** <b>F</b> - Fused <b>STC12-WH</b> - 12" Stem and Canopy Kit <b>STC24-WH</b> - 24" Stem and Canopy Kit <b>STC36-WH</b> - 36" Stem and Canopy Kit <b>STC48-WH</b> - 48" Stem and Canopy Kit <b>TP</b> - Tamper-Proof Screw Set <b>WLL</b> - LED High Lumen Lens <b>WPL</b> - White Polycarbonate
ORDER INFO			
Not Applicable Example ^	AC	30K	ALP

PROD	SOURCE	30K SPECS				
<b>FS 11"</b>	L13.5	<ul style="list-style-type: none"> <li>80 CRI Typ.</li> <li>30K - 3000K Color Temp</li> <li>2100 LED Source Lumens</li> <li>155.5 LED Source Lumens Per Watt</li> <li>979 Delivered LED Lumens</li> <li>65.3 Delivered LED Lumens Per Watt</li> </ul>				
	L17.0	<ul style="list-style-type: none"> <li>80 CRI Typ.</li> <li>30K - 3000K Color Temp</li> <li>2650 LED Source Lumens</li> <li>157 LED Source Lumens Per Watt</li> </ul>				

REPLACEMENT PART	PART NO	NOTES
11" White Acrylic Diffuser	3021160	
11" White Acrylic LED Diffuser	3053260	
		Don't see the configuration you are looking for? Call us today at (513) 858-6004



TERONLIGHTING.COM  
 33 DONALD DR, FAIRFIELD, OH 45014  
 P: 513.858.6004 F: 513.858.6038  
 E: SALES@TERONLIGHT.COM



We reserve the right to revise the design components of any product due to parts availability or change in UL standards, without assuming any obligation or liability to modify any products previously manufactured, and without notice.

# FAULTLESS LED 11"

Architectural Indoor



Fixture Core

PROJECT:	
TYPE:	
PO#:	QTY:
COMMENTS:	

PRODUCT CODE	SOURCE/WATTAGE	VOLTAGE	DIMMING DRIVER
FS11 - Faultless 11"	L20.5-ZE640 - (48) LED Array @640mA Line Voltage 4-Wire Dimming Driver (Dimmable 0 - 10V)	120-277V (50 / 60Hz)	ZE - 0-10V Dimming
ORDER INFO			
FS11 Example ^	L13.5-ZE420	120V	Not Applicable

Aesthetics & Options

TRIM	FINISH	COLOR TEMP	OPTIONS
Not Applicable	<b>AC</b> - Antique Copper <b>AS</b> - Antique Silver <b>BT</b> - Bronze Mist <b>WH</b> - Gloss White (Standard) <b>SM</b> - Matte Silver <b>SN</b> - Sand <b>SW</b> - Swedish Steel <b>TB</b> - Textured Black <b>BZ</b> - Textured Bronze <b>TW</b> - Textured White	<b>30K</b> - 3000K Color Temp <b>35K</b> - 3500K Color Temp <b>40K</b> - 4000K Color Temp <b>50K</b> - 5000K Color Temp	<b>ALP</b> - Aluminum Mount Pan <b>EE/BB</b> - Bodine BSL26 - Up to 5.1W Emergency Illumination w/ LEDs (Back Box Required)** <b>F</b> - Fused <b>STC12-WH</b> - 12" Stem and Canopy Kit <b>STC24-WH</b> - 24" Stem and Canopy Kit <b>STC36-WH</b> - 36" Stem and Canopy Kit <b>STC48-WH</b> - 48" Stem and Canopy Kit <b>TP</b> - Tamper-Proof Screw Set <b>WLL</b> - LED High Lumen Lens <b>WPL</b> - White Polycarbonate
ORDER INFO			
Not Applicable Example ^	AC	30K	ALP

PROD	SOURCE	30K SPECS				
FS 11"	L20.5	<ul style="list-style-type: none"> <li>80 CRI Typ.</li> <li>30K - 3000K Color Temp</li> <li>3100 LED Source Lumens</li> <li>151 LED Source Lumens Per Watt</li> </ul>				

REPLACEMENT PART	PART NO	NOTES
11" White Acrylic Diffuser	3021160	
11" White Acrylic LED Diffuser	3053260	
		Don't see the configuration you are looking for? Call us today at (513) 858-6004



TERONLIGHTING.COM  
 33 DONALD DR, FAIRFIELD, OH 45014  
 P: 513.858.6004 F: 513.858.6038  
 E: SALES@TERONLIGHT.COM



We reserve the right to revise the design components of any product due to parts availability or change in UL standards, without assuming any obligation or liability to modify any products previously manufactured, and without notice.