

# MAMBA SQUARE LED

Architectural Outdoor



|           |      |
|-----------|------|
| PROJECT:  |      |
| TYPE:     |      |
| PO#:      | QTY: |
| COMMENTS: |      |

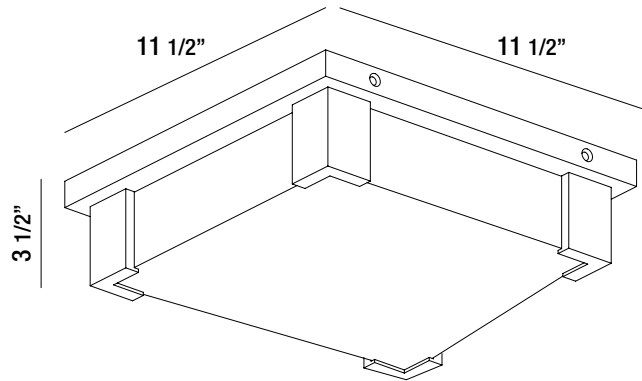
## FEATURES

- ADA Compliant
- Black Powder Coated Steel Housing
- Clear Glass Outside With Opal White Interior
- Ceiling or Wall Mounted
- ETL/cETL Listed Wet Location For Ceiling Mount
- IP54 Certified
- LED Light Fixture
- T24 Compliant
- 120V Only Triac Dimmable Driver
- 7.3 lbs.
- 90 CRI



## LINE DRAWING

LINE DRAWING NOT TO SCALE



## FINISHES

Black



For RAL Colors  
& Custom  
Match -  
Contact Teron  
Lighting Inc.

# MAMBA SQUARE LED

Architectural Outdoor



Fixture Core

|           |      |
|-----------|------|
| PROJECT:  |      |
| TYPE:     |      |
| PO#:      | QTY: |
| COMMENTS: |      |

| PRODUCT CODE            | SOURCE/WATTAGE                                                                                                        | VOLTAGE | DIMMING DRIVER     |
|-------------------------|-----------------------------------------------------------------------------------------------------------------------|---------|--------------------|
| MBSQ - Mamba Square LED | L25.0-LTXXX - 25.0W @ XXXmA<br>Constant Current Electronic Driver<br><br>Note: Driver Current Information Coming Soon | 120V    | LT - TRIAC Dimming |
| ORDER INFO              |                                                                                                                       |         |                    |
| MBSQ<br>Example ^       | L25.0-LTXXX                                                                                                           | 120V    | LT                 |

Aesthetics & Options

| TRIM                        | FINISH      | COLOR TEMP             | OPTIONS        |
|-----------------------------|-------------|------------------------|----------------|
| Not Applicable              | BLK - Black | 30K - 3000K Color Temp | Not Applicable |
| ORDER INFO                  |             |                        |                |
| Not Applicable<br>Example ^ | BLK         | 30K                    | Not Applicable |

| PROD | SOURCE | 30K SPECS                                                                                                                                                                                                               |  |  |  |  |
|------|--------|-------------------------------------------------------------------------------------------------------------------------------------------------------------------------------------------------------------------------|--|--|--|--|
| MBSQ | L25.0  | <ul style="list-style-type: none"> <li>30K - 3000K Color Temp</li> <li>1200 LED Source Lumens</li> <li>48.0 LED Source Lumens Per Watt</li> <li>893 Delivered Lumens</li> <li>35.7 Delivered Lumens Per Watt</li> </ul> |  |  |  |  |

| REPLACEMENT PART | PART NO | NOTES                                                                               |
|------------------|---------|-------------------------------------------------------------------------------------|
|                  |         | Don't see the configuration you are looking for?<br>Call us today at (513) 858-6004 |



TERONLIGHTING.COM  
 33 DONALD DR, FAIRFIELD, OH 45014  
 P: 513.858.6004 F: 513.858.6038  
 E: SALES@TERONLIGHT.COM

We reserve the right to revise the design components of any product due to parts availability or change in UL standards, without assuming any obligation or liability to modify any products previously manufactured, and without notice.