

LANIER S BFP LED

Architectural Indoor



PROJECT:	
TYPE:	
PO#:	QTY:
COMMENTS:	

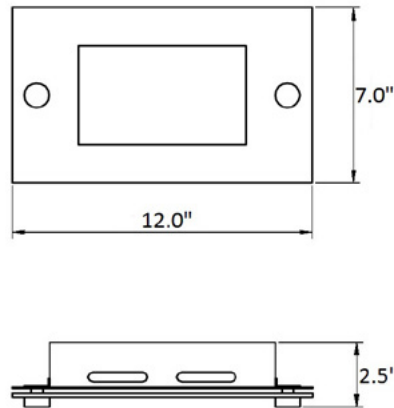


FEATURES

- Die-Formed Cold-Rolled Steel Housing
- Anodized Aluminum Reflector
- Glass Lens
- Mounts Directly to 4" Junction Box (By Others)
- ETL/cETL Listed for Damp Location
- LED Light Fixture
- For Flushmount Ceiling or Wall
- Mounting Hardware Included

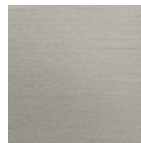
LINE DRAWING

LINE DRAWING NOT TO SCALE



FINISHES

Brushed
Nickel



LANIER S BFP LED

Architectural Indoor



Fixture Core

PROJECT:	
TYPE:	
PO#:	QTY:
COMMENTS:	

PRODUCT CODE	SOURCE/WATTAGE	VOLTAGE	DIMMING DRIVER
LNS - Lanier S	L15.0-LT500 - 15.0W @ 500mA Constant Current	120V (50/60 Hz)	Triac Dimming
ORDER INFO			
LNS Example ^	L15.0-LT500	120V	Not Applicable

Aesthetics & Options

TRIM	FINISH	COLOR TEMP	OPTIONS
Not Applicable	BN - Brushed Nickel (Standard)	30K - 3000K Color Temp.	Not Applicable
ORDER INFO			
Not Applicable Example ^	BN	30K	Not Applicable

PROD	SOURCE	30K SPECS				
LNS	L15.0	<ul style="list-style-type: none"> 30K - 3000K Color Temp 1256 LED Source Lumens 66.1 Lumens Per Watt 				

REPLACEMENT PART	PART NO	NOTES



TERONLIGHTING.COM
 33 DONALD DR, FAIRFIELD, OH 45014
 P: 513.858.6004 F: 513.858.6038
 E: SALES@TERONLIGHT.COM

We reserve the right to revise the design components of any product due to parts availability or change in UL standards, without assuming any obligation or liability to modify any products previously manufactured, and without notice.