

CHURCHILL LED

Architectural Indoor



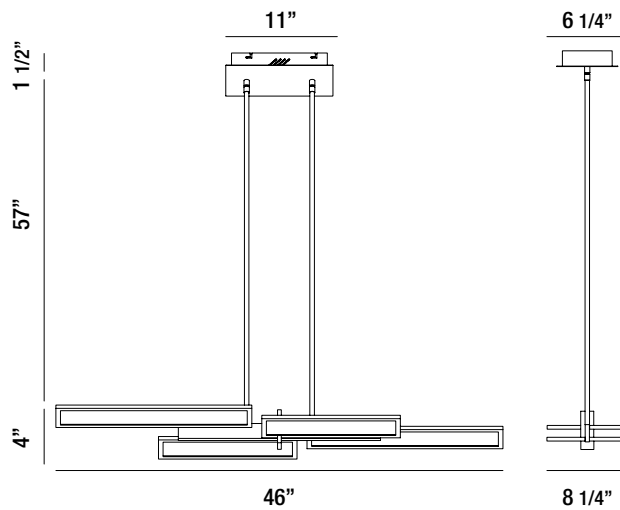
PROJECT:	
TYPE:	
PO#:	QTY:
COMMENTS:	

FEATURES

- Ceiling Mounted
- Dimmable @ 120V
- ETL/cETL Listed for Dry Locations
- LED Light Fixture
- Steel Composition
- T24 Listed
- 12.8 lbs.
- 90 CRI

LINE DRAWING

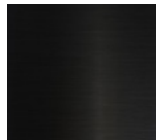
LINE DRAWING NOT TO SCALE



FINISHES

Gold

Matte Black



For RAL Colors
& Custom
Match -
Contact Teron
Lighting Inc.

CHURCHILL LED

Architectural Indoor



Fixture Core

PROJECT:	
TYPE:	
PO#:	QTY:
COMMENTS:	

PRODUCT CODE	SOURCE/WATTAGE	VOLTAGE	DIMMING DRIVER
CHHL - Churchill LED	L75.0-LT3200 - 75.0W @ 3200mA ELV Low Voltage 2-Wire Dimming Electronic Driver (Leading or Trailing Edge)	120V	TRIAC Dimming @ 120V
ORDER INFO			
CHHL Example ^	L75.0-LT3200	120V	TRIAC

Aesthetics & Options

TRIM	FINISH	COLOR TEMP	OPTIONS
Not Applicable	GLD - Gold MB - Matte Black	30K - 3000K Color Temp	Not Applicable
ORDER INFO			
Not Applicable Example ^	GLD	30K	Not Applicable

PROD	SOURCE	30K SPECS				
CH	L75.0	<ul style="list-style-type: none"> 30K - 3000K Color Temp 2800 LED Source Lumens 37.3 LED Source Lumens Per Watt 				

REPLACEMENT PART	PART NO	NOTES
		Don't see the configuration you are looking for? Call us today at (513) 858-6004



TERONLIGHTING.COM
 33 DONALD DR, FAIRFIELD, OH 45014
 P: 513.858.6004 F: 513.858.6038
 E: SALES@TERONLIGHT.COM

We reserve the right to revise the design components of any product due to parts availability or change in UL standards, without assuming any obligation or liability to modify any products previously manufactured, and without notice.