



## INSTALLATION & MAINTENANCE INSTRUCTIONS

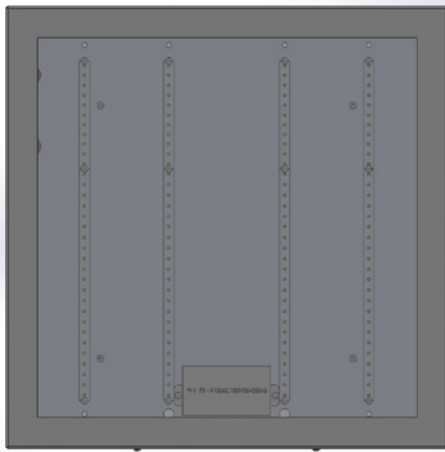
### Polaris SM/LG LED

CEILING OR WALL MOUNTED LUMINAIRE

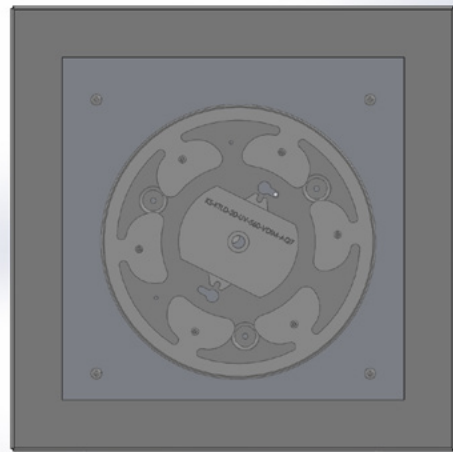
P.N. 76203

**WARNING:** DISCONNECT POWER PRIOR TO INSTALLATION OR SERVICING OF FIXTURE

*NOTE: THIS PRODUCT MUST BE INSTALLED IN ACCORDANCE WITH THE APPLICABLE LOCAL & NATIONAL ELECTRICAL CODES BY A PERSON FAMILIAR WITH THE CONSTRUCTION AND FAMILIAR WITH THE OPERATION OF THE PRODUCT AND HAZARDS INVOLVED.*



Polaris LG LED



Polaris SM LED

### **INSTALLATION**

1. Make sure the power to the area working in is shut off to avoid serious injury from electrical shock.
2. The Polaris LG fixture was designed to be directly mounted to the wall using (6) wall anchors (not supplied). *Note:* Polaris SM fixture uses (4) wall anchors.
3. Remove any excess packing from the fixture.
4. Remove (2) door screws from bottom of fixture and carefully lift off the lid/lens.
5. *For the Polaris LG:* remove (4) screws from the reflector and carefully set it to the side.
6. Connect the fixture leads to the supply leads inside j-box. TLI stipulates the Black as Line; White as Common; Bare/Green as Ground.
7. Secure Polaris fixture to flat surface using wall anchors.
8. *For the Polaris LG:* Re-attach reflector using (4) screws.
9. Energize fixture to ensure proper connection.
10. Re-attach lid/lens and secure with (2) door screws.
11. Outdoor wall fixtures must be caulked with a suitable waterproof across the top, and at least 2" down each side of the fixture to properly seal it to the mounting surface. A small space should be open at the bottom of for excess moisture runoff.
12. Fill Rough or uneven surfaces, mortar joints, and any exterior holes with silicone sealant.

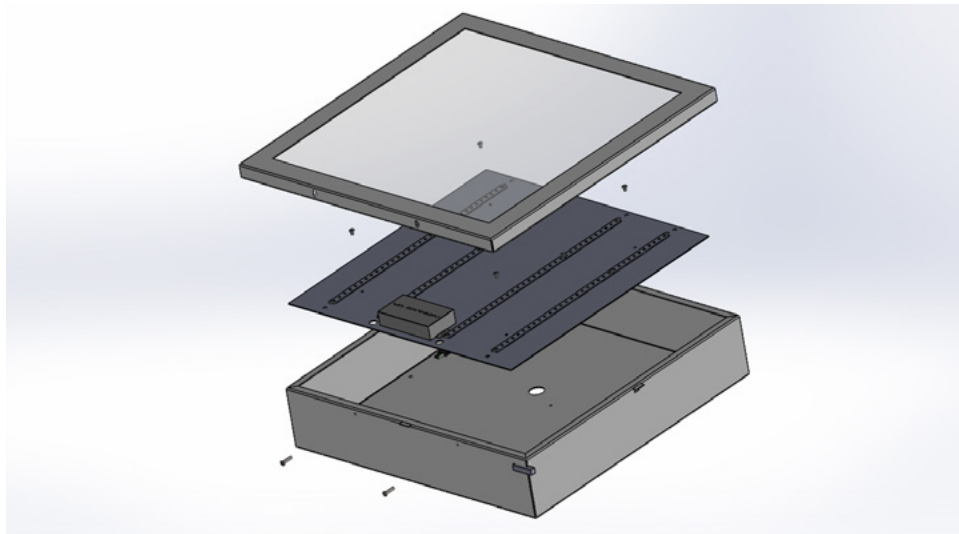
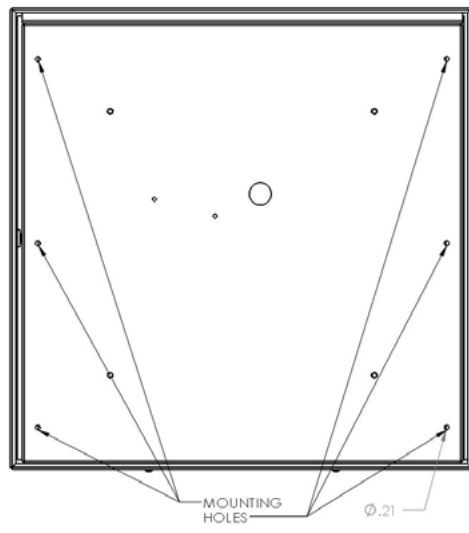
### **MAINTENANCE**

DO NOT use cleansers containing bleach.

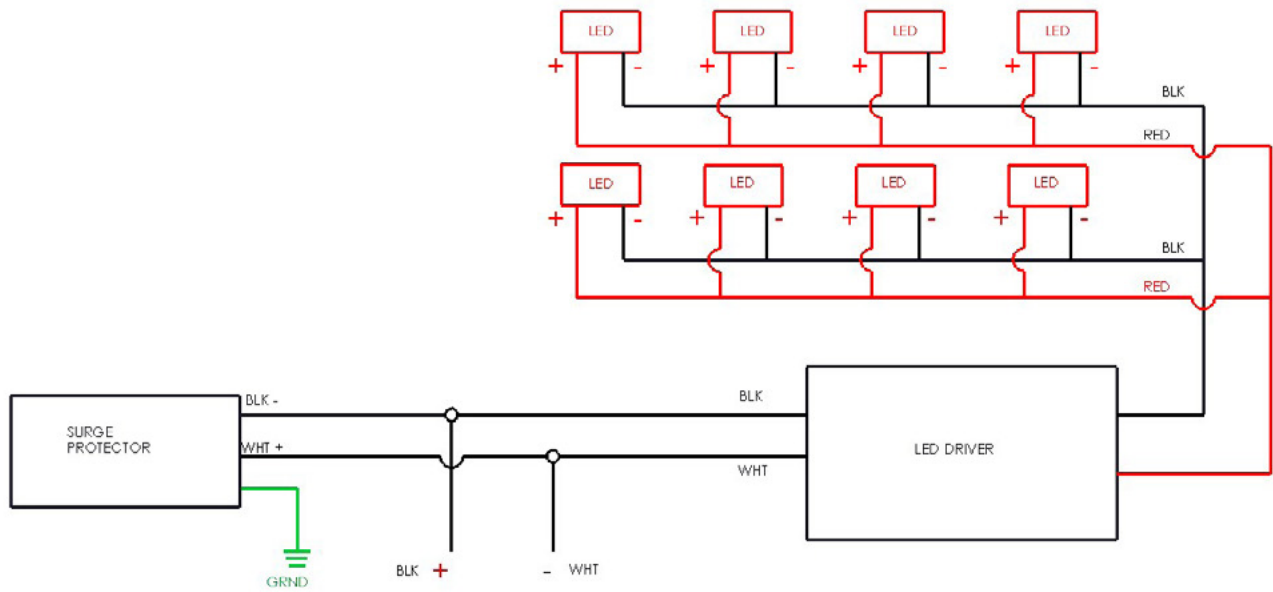
The metal portion of the fixture can be wiped clean as needed using a mild soap solution.

### **ATTENTION**

Avoid moving any exposed wires. If any wires are accidentally disconnected, call a professional to repair.



**WIRING DIAGRAM**



**POLARIS LG - LED**