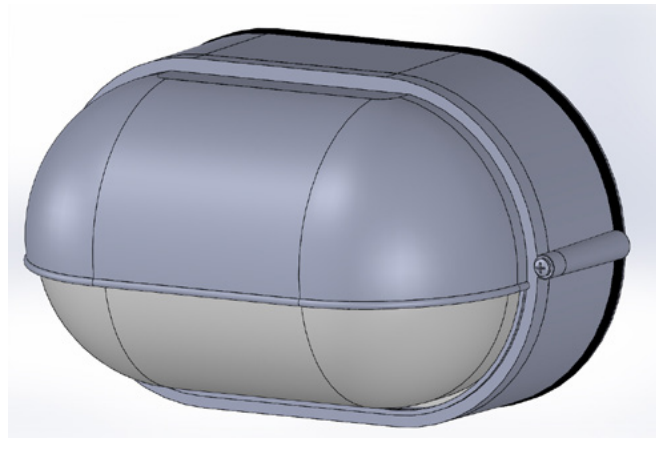
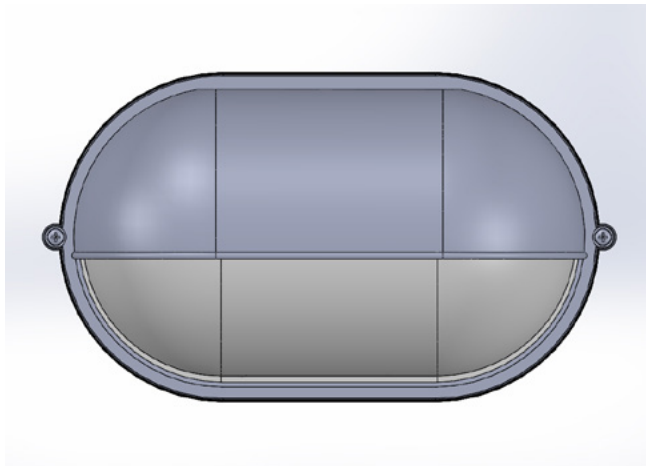




INSTALLATION & MAINTENANCE INSTRUCTIONS
Birdie OV CA LED
ARCHITECTURAL VANITY P.N. 76193

WARNING: DISCONNECT POWER PRIOR TO INSTALLATION OR SERVICING OF FIXTURE

NOTE: THIS PRODUCT MUST BE INSTALLED IN ACCORDANCE WITH THE APPLICABLE LOCAL & NATIONAL ELECTRICAL CODES BY A PERSON FAMILIAR WITH THE CONSTRUCTION AND FAMILIAR WITH THE OPERATION OF THE PRODUCT AND HAZARDS INVOLVED.



INSTALLATION

1. Make sure the power to the area working in is shut off to avoid serious injury from electrical shock.
2. Remove any excess packing from the fixture.
3. Attach the crossbar to the junction box. Screw the nipple into the cross bar and connect to the mounting pan via the center mounting hole. Secure with the nut provided in the mounting kit.
4. Connect the fixture leads to the supply leads. TLI stipulates the Black as Line; White as Common; Bare/Green as Ground. All connections must be made inside the junction box (not supplied).
5. Secure fixture housing using the brass cap provided.
6. Attach lens and lens frame, secure with two screws on the side of the assembly.
7. Energize fixture to ensure proper connections.
8. Outdoor wall fixtures must be caulked with a suitable waterproof sealant around the sides and top. A small space should be open at the bottom for excess moisture runoff.
9. Fill rough or uneven surfaces, mortar joints, and any exterior holes with silicone sealant.

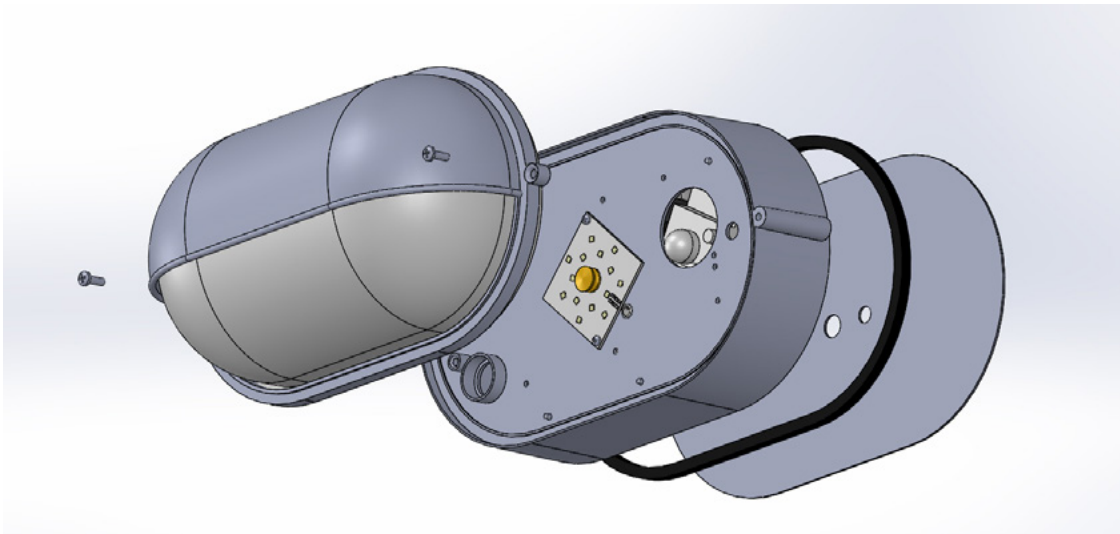
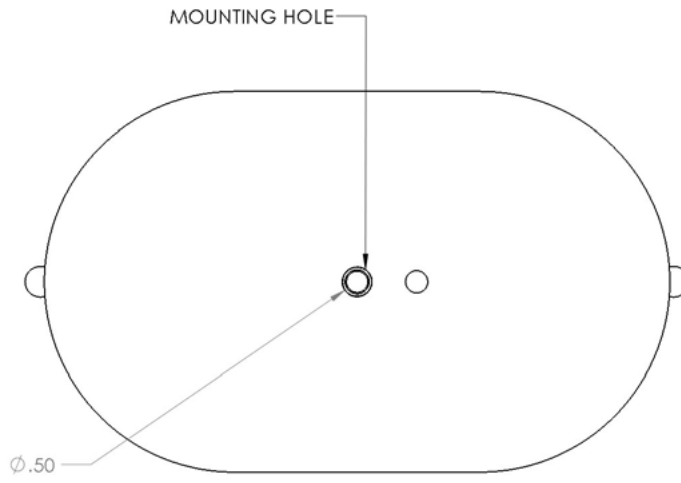
MAINTENANCE

DO NOT use cleansers containing bleach.

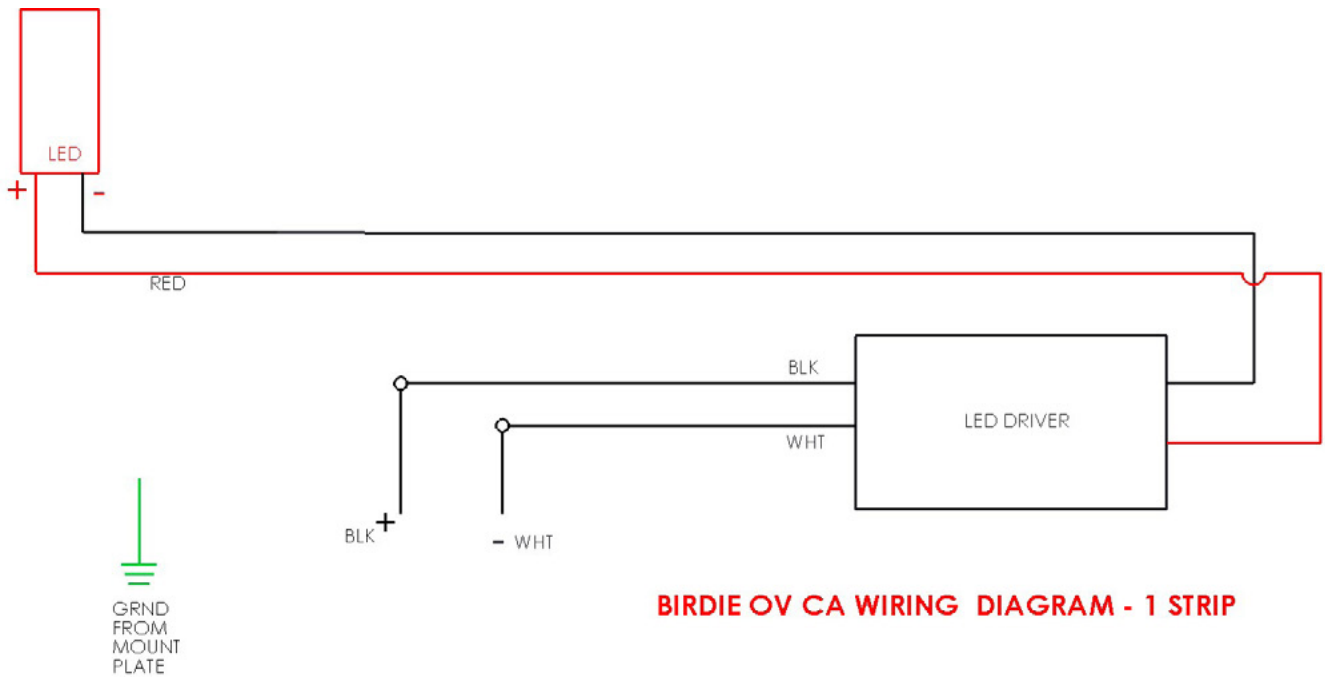
The metal portion of the fixture can be wiped clean as needed using a mild soap solution.

ATTENTION

Avoid moving any exposed wires. If any wires are accidentally disconnected, call a professional to repair.



WIRING DIAGRAM



BIRDIE OV CA WIRING DIAGRAM - 1 STRIP