



INSTALLATION & MAINTENANCE INSTRUCTIONS

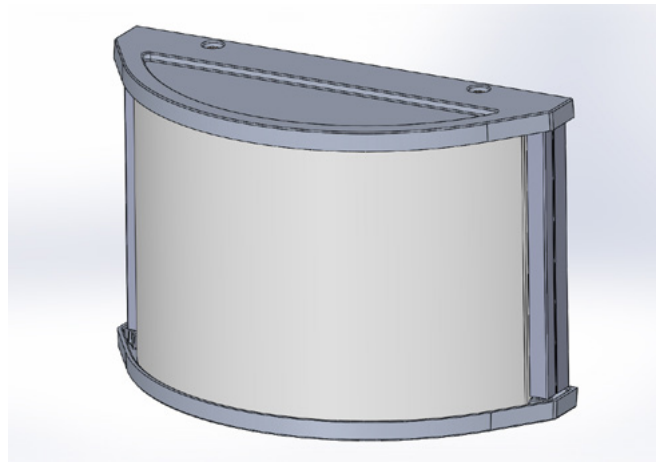
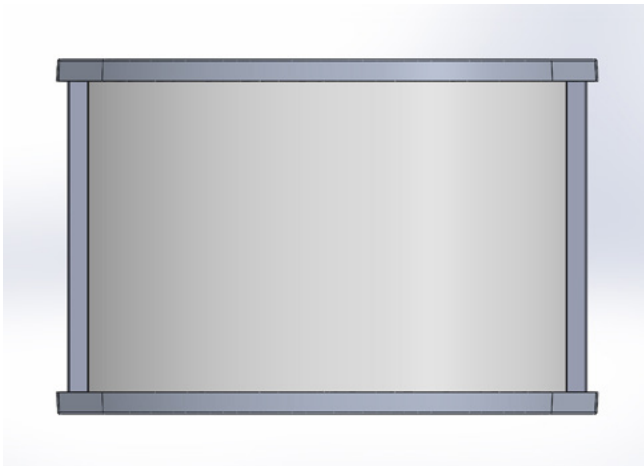
Guardian Mini LED

Wall Mounted Luminaire

P.N. 76128

WARNING: DISCONNECT POWER PRIOR TO INSTALLATION OR SERVICING OF FIXTURE

NOTE: THIS PRODUCT MUST BE INSTALLED IN ACCORDANCE WITH THE APPLICABLE LOCAL & NATIONAL ELECTRICAL CODES BY A PERSON FAMILIAR WITH THE CONSTRUCTION AND FAMILIAR WITH THE OPERATION OF THE PRODUCT AND HAZARDS INVOLVED.



INSTALLATION

1. Make sure the power to the area working in is shut off to avoid serious injury from electrical shock.
2. Remove any excess packing from the fixture.
3. This fixture is designed to be mounted to a junction box (not supplied) using a j-box ring.
4. Remove top of fixture by removing (2) screws. Remove fascia if applicable.
5. Remove lens by carefully sliding it out the top or bottom of fixture.
6. Remove LED reflector by removing (2) screws, one from each side.
7. Screw the screws through the j-box ring so they so they are pointed toward the fixture.
8. Pull the wires through the j-box ring and into the j-box.
9. Complete the wiring to the power source and ground. The Black as Line; White as Common; Bare/ Green as Ground. Wire connections to be made inside of housing.
10. Mount j-box ring to j-box. Screws should be aligned such that the fixture can mounted straight.
11. Mount fixture to the j-box ring using (2) caps. The caps attach to the screws coming from the j-box ring.
12. Energize fixture to ensure proper connections.
13. Do steps 4-6 in reverse order to re-assemble fixture.
14. Outdoor wall fixtures must be caulked with a suitable waterproof sealant around the sides and top. A small space should be open at the bottom for excess moisture runoff.
15. Fill rough or uneven surfaces, mortar joints, and any exterior holes with silicone sealant.

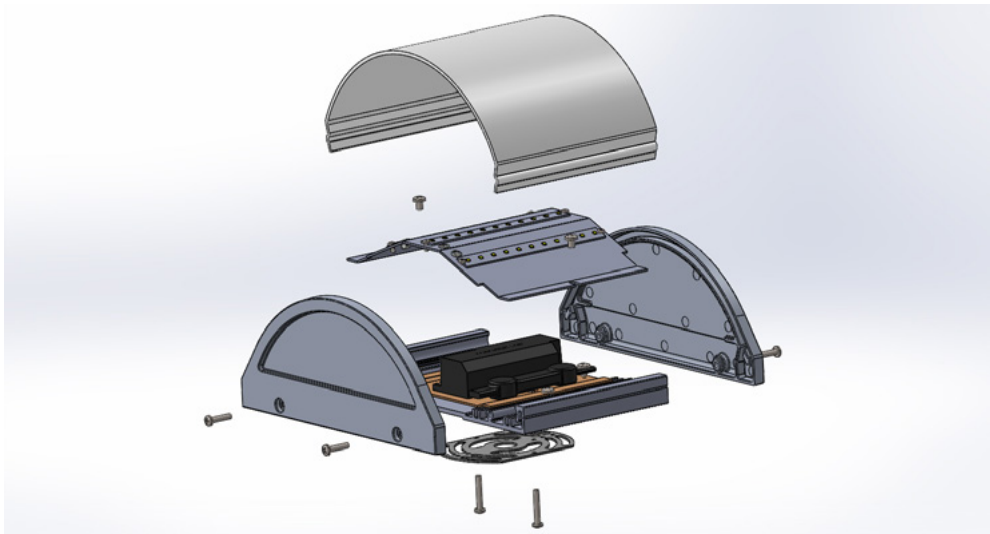
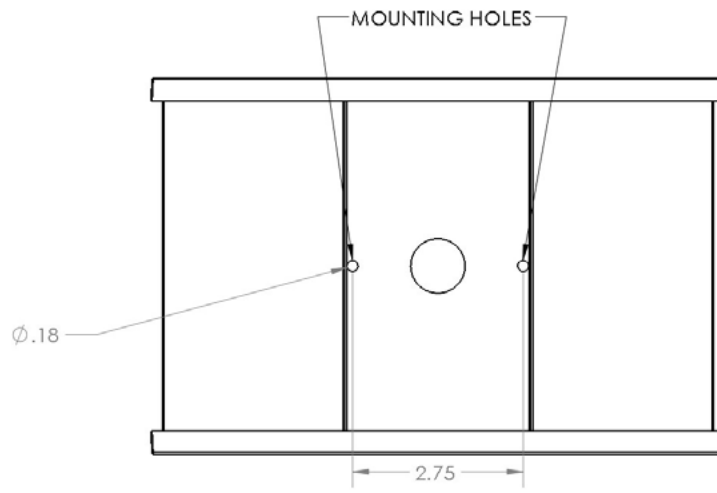
MAINTENANCE

DO NOT use cleansers containing bleach.

The metal portion of the fixture can be wiped clean as needed using a mild soap solution.

ATTENTION

Avoid moving any exposed wires. If any wires are accidentally disconnected, call a professional to repair.



WIRING DIAGRAM

