



INSTALLATION & MAINTENANCE INSTRUCTIONS

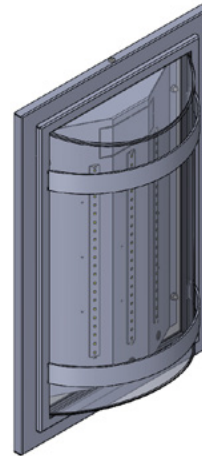
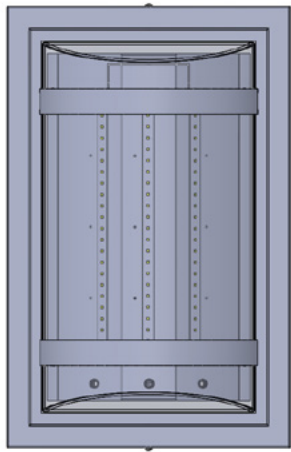
Zenith SM LED

WALL MOUNTED LUMINAIRE

P.N. 76108

WARNING: DISCONNECT POWER PRIOR TO INSTALLATION OR SERVICING OF FIXTURE

NOTE: THIS PRODUCT MUST BE INSTALLED IN ACCORDANCE WITH THE APPLICABLE LOCAL & NATIONAL ELECTRICAL CODES BY A PERSON FAMILIAR WITH THE CONSTRUCTION AND FAMILIAR WITH THE OPERATION OF THE PRODUCT AND HAZARDS INVOLVED.



INSTALLATION

1. Make sure the power to the area working in is shut off to avoid serious injury from electrical shock.
2. Remove any excess packing from the fixture.
3. The Zenith Series is designed to be mounted directly to the wall using No. 8 wall anchors
4. Remove (2) 6-32 X 3/8 Trim Screws top and bottom, to remove Back Plate from Trim. Set aside for re-installation.
5. Remove Hex Nuts from Ballast Cover. Set aside for re-installation.
6. Drill (4) holes for anchor bolts along a centerline 16" vertically apart and 10" horizontally, as shown. Install Female Wall Anchors. Care should be taken to assure that holes are plumb (vertical). Use level or plumb bob to verify alignment.
7. Connect the fixture leads to the supply leads. Teron stipulates the Black as Line; White as Common; Bare or Green as Ground.
8. Secure Back Plate to wall with Wall Anchor Screws. Verify alignment of holes.
9. Re-install Driver Cover with hex nuts Nuts.
10. Restore power to circuit to ensure proper connections.
11. Attach Trim and Diffuser.
12. Secure Trim with (2) No. 6-32 X 3/8 Trim Screws and tighten.
13. Outdoor wall fixtures must be caulked with a suitable waterproof sealant across the top, and at least 2" down each side of the fixture to properly seal it to the mounting surface. A small space should be open at the bottom for excess moisture runoff.
14. Fill Rough or uneven surfaces, mortar joints, and any exterior holes with silicone sealant.

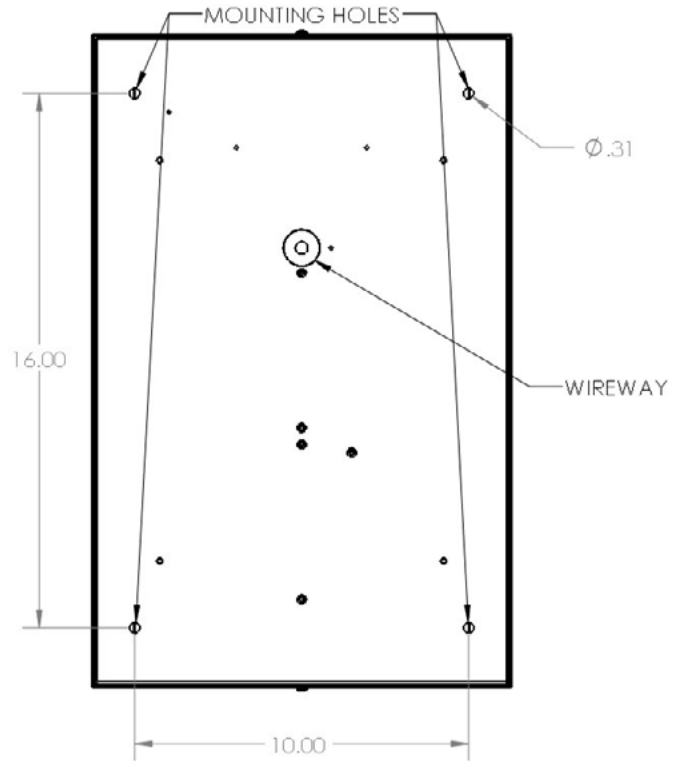
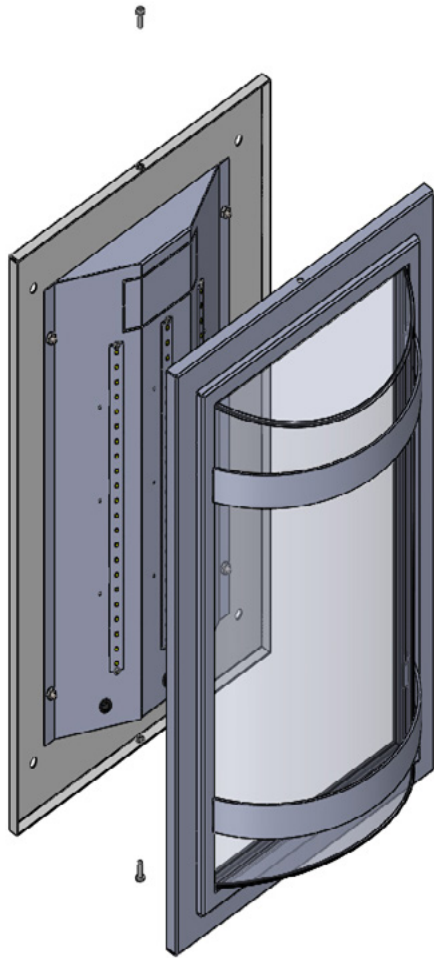
MAINTENANCE

DO NOT use cleansers containing bleach.

The metal portion of the fixture can be wiped clean as needed using a mild soap solution.

ATTENTION

Avoid moving any exposed wires. If any wires are accidentally disconnected, call a professional to repair.



WIRING DIAGRAM

