



**INSTALLATION & MAINTENANCE INSTRUCTIONS  
FOR THE  
NEPTUNE-SINGLE CABLE MOUNT - LED  
Ceiling Mounted Luminaire P.N.: 76180 REV. 1**

**WARNING:** DISCONNECT POWER PRIOR TO INSTALLATION OR SERVICING OF FIXTURE

**NOTE:** THIS PRODUCT MUST BE INSTALLED IN ACCORDANCE WITH THE APPLICABLE LOCAL & NATIONAL ELECTRICAL CODES BY A PERSON FAMILIAR WITH THE CONSTRUCTION AND FAMILIAR WITH THE OPERATION OF THE PRODUCT AND HAZARDS INVOLVED.

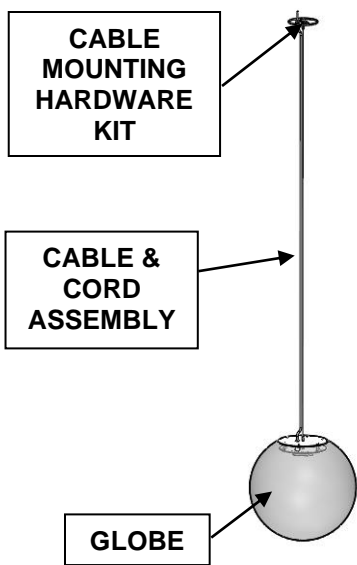


FIG. 1

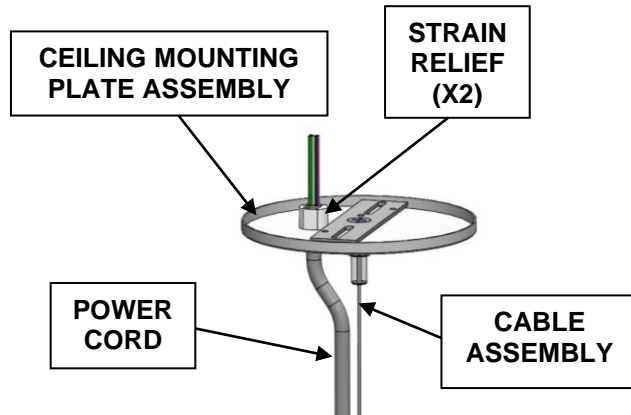


FIG. 2

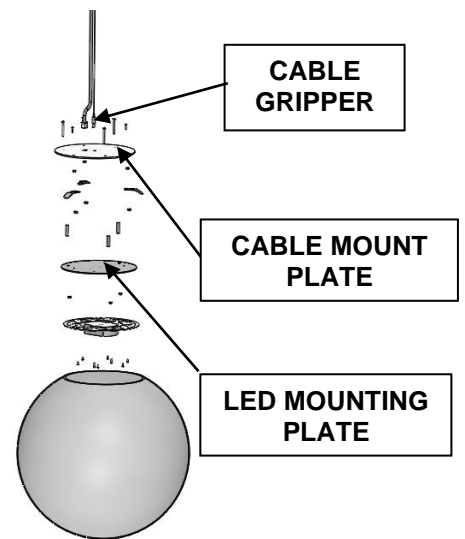
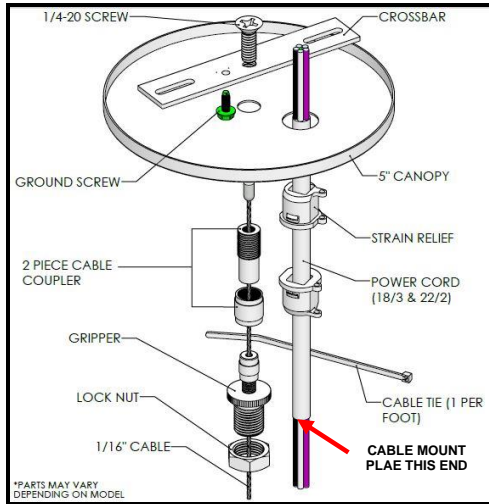


FIG. 3

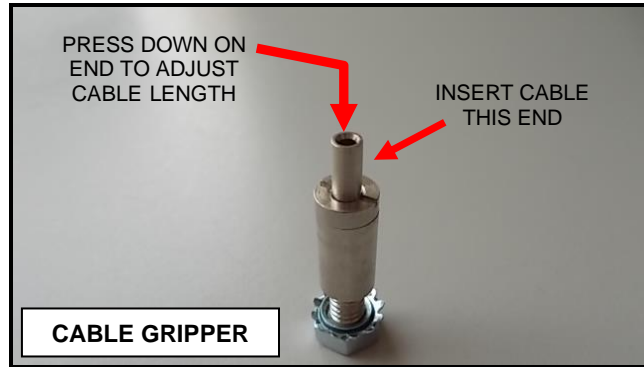
**INSTALLATION:**

1. Remove any excess packing from the fixture.
2. Locate the Cable Kit (FEED KIT 18/3 & 22/2 CORD SERIES # 50) with a separate instruction sheet. Follow instructions on kit to assemble and adjust the cable length.
3. Reference and follow Cable Systems instructions to secure cable mounting hardware to the fixture's cable mount plate. Also see Figs. 4 and 5. Next, insert the cord into the cord strain reliefs on each end. Attach the power cord assembly to the j-box cover, by inserting the strain reliefs through the holes in the cover and the mounting plate as shown in Figs. 2 and 6. Mount Pendant System's (#158 Countersunk 1/4"-20 Crossbar) to the junction box with the (2) 8-32 junction box screws (**provided by others**).
4. Next mount the cable assembly to the crossbar by screwing it to the captive (1/4-20 x 1/2) screw (facing downward from the cross bar and j-box) using the cable coupler hardware provided in the kit. The other end of the cable is inserted through the cable gripper in the mount plate. See kit instructions for details.
5. Connect the fixture leads to the supply line leads. TLI stipulates the BLACK lead as line voltage, WHITE lead as common and BARE/GREEN lead as ground. See wiring diagram below.
6. Next adjust the cable lengths by depressing downward on the cable gripper top and sliding cable to position fixture in a level position. See figure 5.
7. Assemble the globe to the fixture by sliding it over the led mount plate assembly and into the globe so that the LED mount assembly goes inside the globe. With a screwdriver position the lens clips to support the lens,
8. Last, restore the power to the circuit.

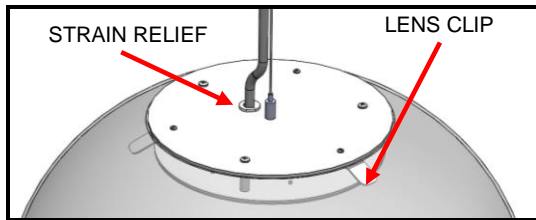
**NOTE: CABLE CAN BE EASILY ADJUSTED IN LENGTH DEPRESSING CABLE GRIPPER.**  
**\* VARIOUS LENGTHS ARE AVAILABLE.**



**Fig. 4**



**FIG. 5**



**FIG. 6**

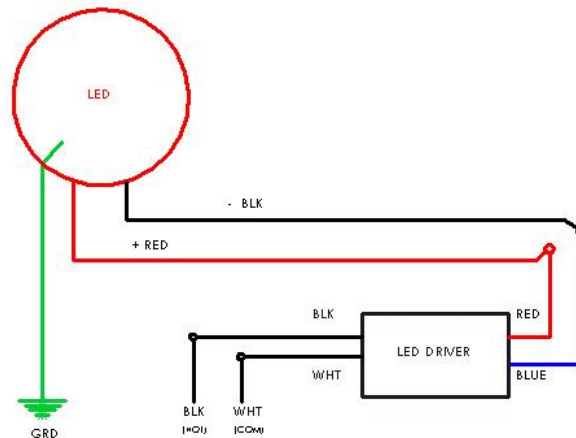
**MAINTENANCE:**

**DO NOT** use cleansers containing bleach.  
 The metal portion of the fixture can be wiped clean as needed using a mild soap solution.

**ATTENTION:**

Avoid moving any exposed wires. If any wires are accidentally disconnected, call a professional to repair.

**WIRING DIAGRAM:**



**NEPTUNE - LED - WIRING DIAGRAM.**