

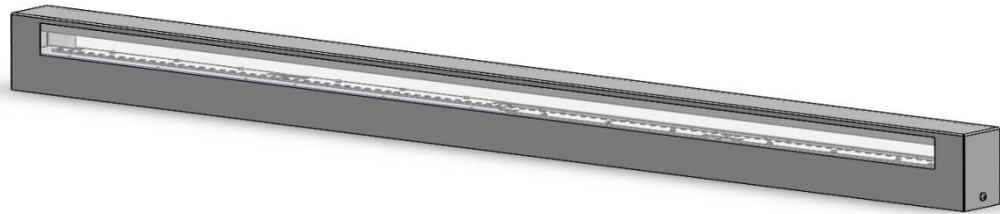


**INSTALLATION & MAINTENANCE INSTRUCTIONS
FOR THE
VICEROY LED
ARCHITECTURAL VANITY**

P.N.: 76110

WARNING: DISCONNECT POWER PRIOR TO INSTALLATION OR SERVICING OF FIXTURE

NOTE: THIS PRODUCT MUST BE INSTALLED IN ACCORDANCE WITH THE APPLICABLE LOCAL & NATIONAL ELECTRICAL CODES BY A PERSON FAMILIAR WITH THE CONSTRUCTION AND FAMILIAR WITH THE OPERATION OF THE PRODUCT AND HAZARDS INVOLVED.



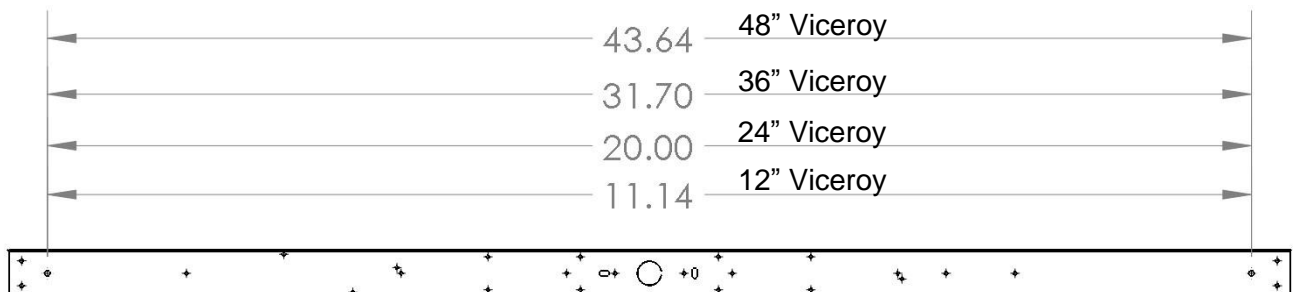
INSTALLATION

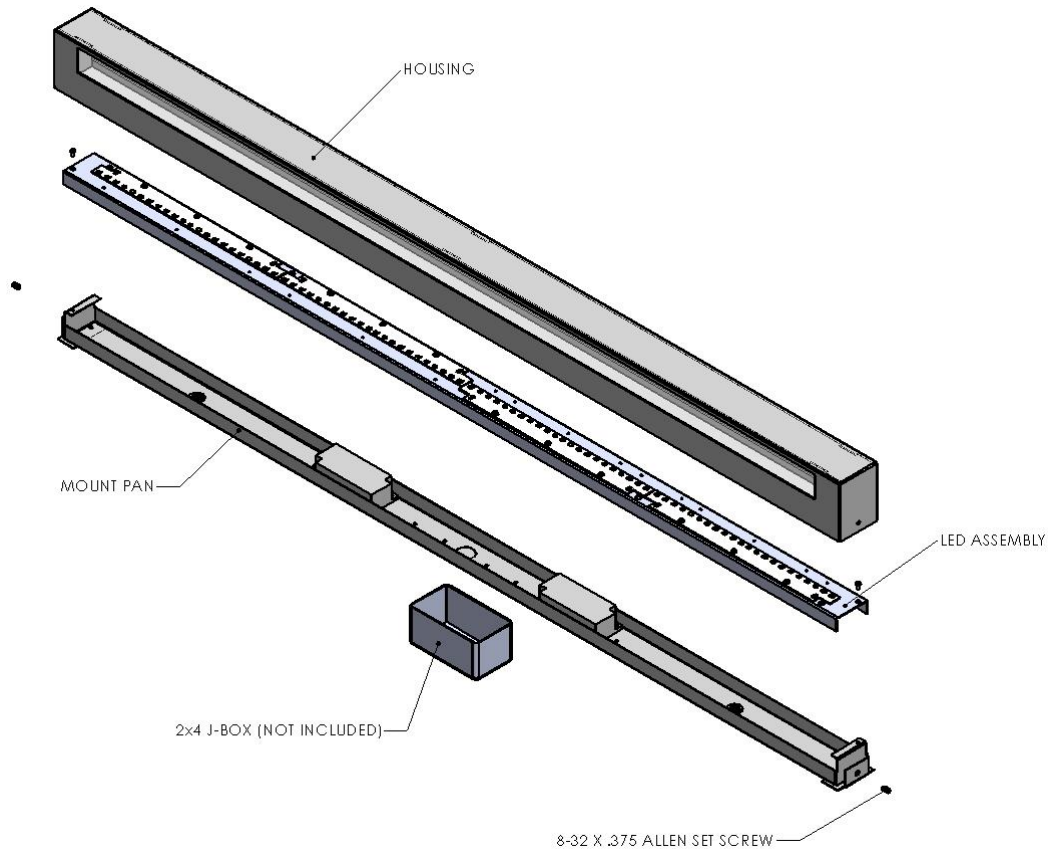
1. Make sure the power to the area working in is shut off to avoid serious injury from electrical shock.
2. Remove any excess packing from the fixture.
3. This fixture is designed to be mounted to either a 2" junction box (supplied by customer), a 4" junction box (supplied by customer) with optional j-box cover, or directly to wall anchors with a 1/2" connector - alternate method. Open the housing assembly by removing the (2) 8-32 x 5/16" allen head set screws located on both ends of the fixture.
4. Remove the (2) 8-32 x 1/4" screws holding the LED assembly to the wall mount to access the mounting holes.
5. Line up the back of the housing in desired location, completely covering junction box and mount securely to the wall with 2 suitable fasteners supplied by the customer. For mounting to a 4" j-box (not included), screw the optional 4" j-box cover to the back of the fixture and mount to the wall.
6. Complete the wiring to the power source and ground. The black as line; white as common; bare/green as ground. Wire connections to be made inside of housing.
7. Reassemble the LED assembly back on to the wall mount with the (2) 8-32 x 1/4" screws.
8. Reassemble the housing to the mount with the (2) 8-32 X 5/16" allen head set screws.
Note: Fascia/Trims are optional but do not affect mounting.

MAINTENANCE

DO NOT use cleansers containing bleach.
The metal portion of the fixture can be wiped clean as needed using a mild soap solution.

ATTENTION: Avoid moving any exposed wires. If any wires are accidentally disconnected, call a professional to repair





WIRING DIAGRAM

