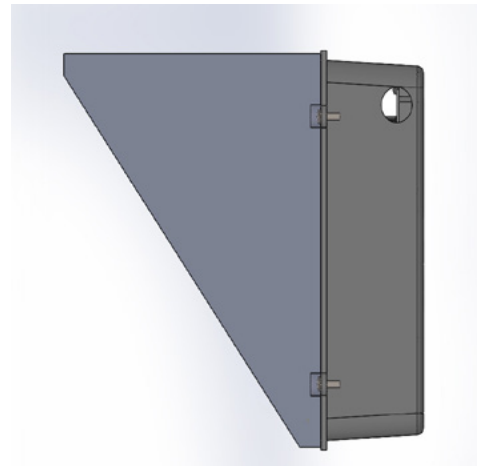
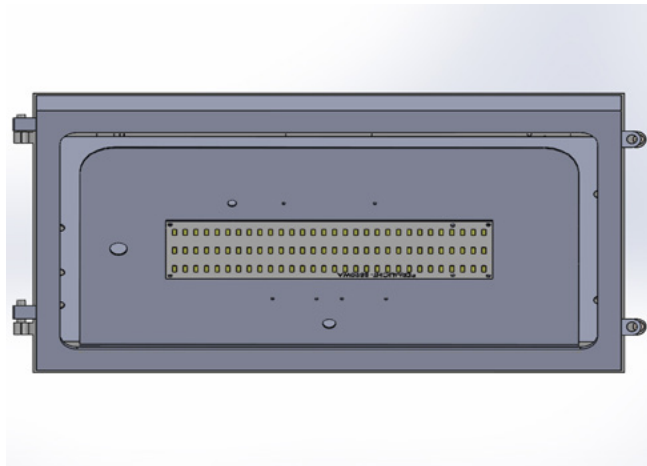




**INSTALLATION & MAINTENANCE INSTRUCTIONS**  
**Gold and Bronze Cup LG LED**  
OUTDOOR WALL LIGHTING P.N. 76019

**WARNING:** DISCONNECT POWER PRIOR TO INSTALLATION OR SERVICING OF FIXTURE

*NOTE: THIS PRODUCT MUST BE INSTALLED IN ACCORDANCE WITH THE APPLICABLE LOCAL & NATIONAL ELECTRICAL CODES BY A PERSON FAMILIAR WITH THE CONSTRUCTION AND FAMILIAR WITH THE OPERATION OF THE PRODUCT AND HAZARDS INVOLVED.*



**INSTALLATION**

1. Remove any excess packing from the fixture.
2. Remove the door from the housing and set aside.
3. The Gold/Bronze Cup Large Series is designed to be mounted directly to the wall by using (3) #8 Wall Anchors.
4. Detail "A" shows the location of the main conduit or j-box entry. Drill into the surface according to the pattern shown. Mount the fixture securely to the wall, and pull the supply leads into the housing.
5. Connect the fixture leads to the supply leads. TLI stipulates the Black as Line; White as Common; Bare/Green as Ground.
6. Re-attach the door to the housing and secure the screws.
7. Outdoor wall fixtures must be caulked with a suitable waterproof sealant across the top, and at least 2" down each side of the fixture to properly seal it to the mounting surface. A small space should be open at the bottom for excess moisture runoff.
8. NOTE: Fill rough or uneven surfaces, mortar joints and any exterior holes with silicone sealant.

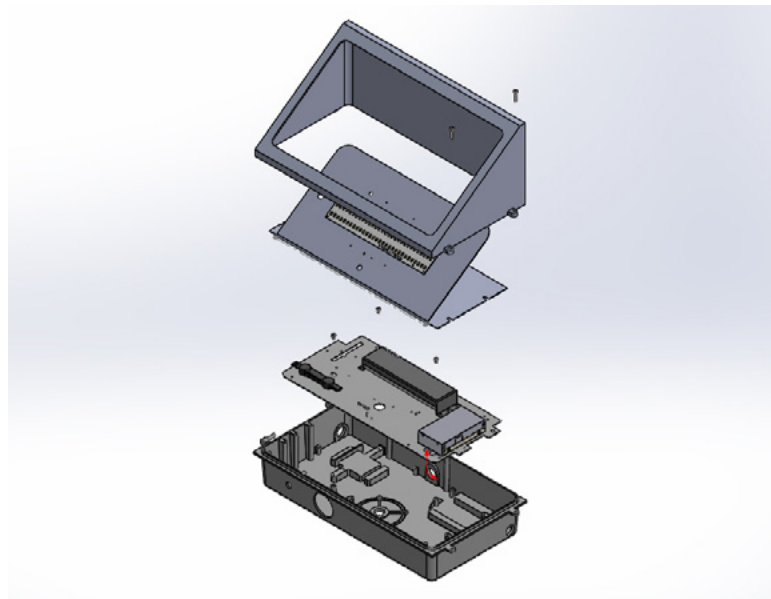
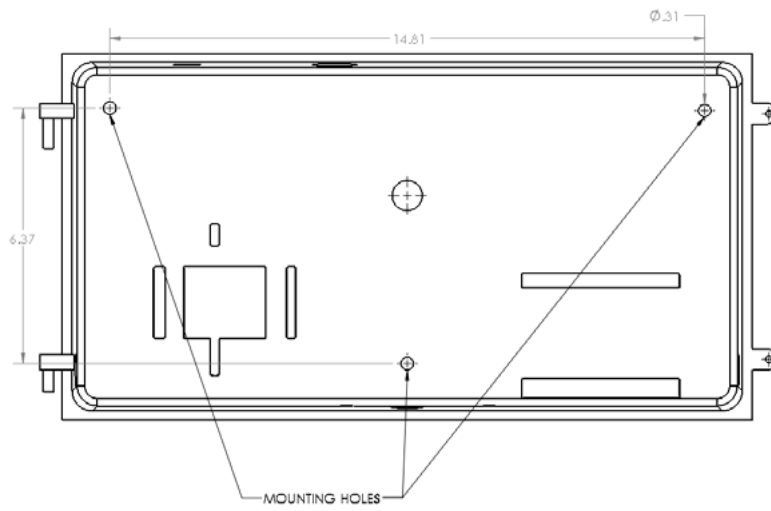
**MAINTENANCE**

DO NOT use cleansers containing bleach.

The metal portion of the fixture can be wiped clean as needed using a mild soap solution.

**ATTENTION**

Avoid moving any exposed wires. If any wires are accidentally disconnected, call a professional to repair.



**WIRING DIAGRAM**

