

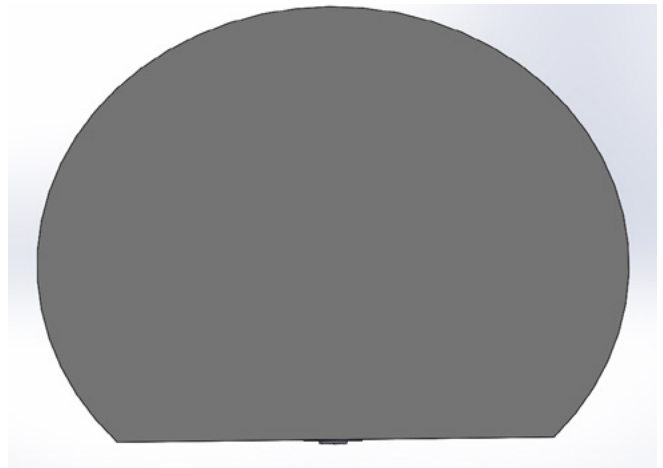


INSTALLATION & MAINTENANCE INSTRUCTIONS

APPLEBY LED, DESERT CLASSIC LED, NICKLAUS LED
VANITY SERIES P.N. 76010

WARNING: DISCONNECT POWER PRIOR TO INSTALLATION OR SERVICING OF FIXTURE

NOTE: THIS PRODUCT MUST BE INSTALLED IN ACCORDANCE WITH THE APPLICABLE LOCAL & NATIONAL ELECTRICAL CODES BY A PERSON FAMILIAR WITH THE CONSTRUCTION AND FAMILIAR WITH THE OPERATION OF THE PRODUCT AND HAZARDS INVOLVED.



INSTALLATION

1. Remove any excess packing from the fixture.
2. Vanity housing are designed to be mounted directly to the wall with (2) anchors. There are (2) mount holes in housing. Measure the distance between the holes, & mark the surface for each housing to be installed.
3. Pull the supply leads into the housing, and mount the housing to the wall with anchors. All Teron Series Vanity fixture housing are rated as Junction Box equivalent, except for the Copper Creek. The Copper Creek must be wired in the wall j-box.
4. Connect the fixture leads to the supply leads. Teron stipulates the Black as Line, White as Common, and Bare/Green as ground.
5. The lenses are installed by one of two methods:
 - a] Lenses that have solid Acrylic end caps, it should be pressed into position. The end clips hold the lens in place.
 - b] Lenses that have metal end caps, are held in place with (2) thumb screws, (1) in each end.
6. Restore power to fixture to ensure fixture is working properly.

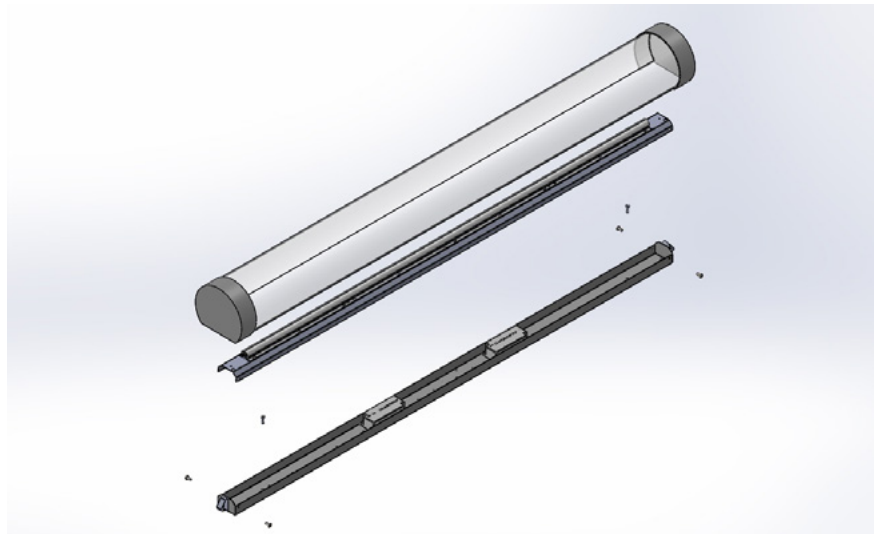
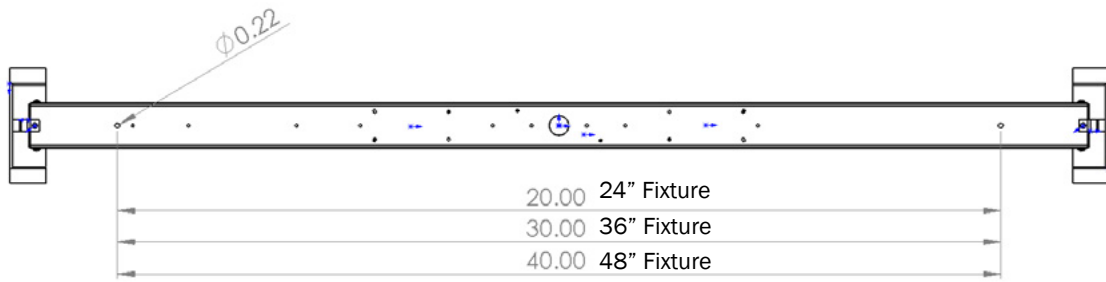
MAINTENANCE

DO NOT use cleansers containing bleach.

The metal portion of the fixture can be wiped clean as needed using a mild soap solution.

ATTENTION

Avoid moving any exposed wires. If any wires are accidentally disconnected, call a professional to repair.



WIRING DIAGRAM

