

VICEROY W SLT LED 48"

Architectural Outdoor



PROJECT:	
TYPE:	
PO#:	QTY:
COMMENTS:	



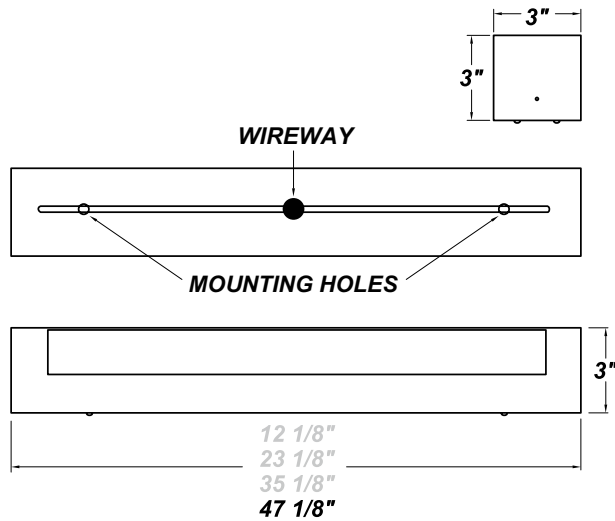
FEATURES

- ADA Compliant
- Aluminum Fixture w/ Matte Silver Powder Coat Finish
- Aluminum Mounting Plate Mounts to Wall Surface (Centered Over Conduit)
- CSA Listed Wet Location For Wall Mount
- Dimmable @ 120-277V
- Emergency Battery available (L36.0 only)
- Estimated Lumen Depreciation (TM-21) 70% of Initial Lumens (L70) @ 90,000 Hours
- Integral Surge Protector
- Leading or Trailing edge or 0-10V Dimming Available
- LED Light Fixture
- Requires a 1/2" Watertight Conduit Connector (Not Included)
- White Acrylic Lens
- 0-10V Dimming



LINE DRAWING

LINE DRAWING NOT TO SCALE



FINISHES

Antique Copper	Antique Silver	Bronze Mist	Matte Silver	Sand	Swedish Steel
Textured Black	Textured Bronze	Textured White			

For RAL Colors & Custom Match - Contact Teron Lighting Inc.

VICEROY W SLT LED 48"

Architectural Outdoor



Fixture Core

PROJECT:	
TYPE:	
PO#:	QTY:
COMMENTS:	

PRODUCT CODE	SOURCE/WATTAGE	VOLTAGE	DIMMING DRIVER
VCYW48 - Viceroy W 48"	L35.0-ZE880 - 28W LED Strip(s) @ 875mA Line Voltage 4-Wire Dimming Driver (Dimmable 0 - 10V) L36.0-ZE875 - 36W LED Strip(s) @ 1100mA Line Voltage 4-Wire Dimming Driver (Dimmable 0 - 10V)	120-277V	0-10V Dimming
ORDER INFO			
VCYW48 Example ^	L35.0-ZE880	120-277V	Not Applicable

Aesthetics & Options

TRIM	FINISH	COLOR TEMP	OPTIONS
SLT	AC - Antique Copper AS - Antique Silver BT - Bronze Mist BZ - Textured Bronze SM - Matte Silver (Standard) SN - Sand SW - Swedish Steel TB - Textured Black TW - Textured White	30K - 3000K Color Temp 35K - 3500K Color Temp 40K - 4000K Color Temp 50K - 5000K Color Temp	EB6 - Integral 6W LED Driver (L36.0 only)
ORDER INFO			
UDL Example ^	SM	30K	Not Applicable

PROD	SOURCE	30K SPECS			
VCYW48	L35.0	<ul style="list-style-type: none"> 30K - 3000K Color Temp 4379 LED Source Lumens 156LED Source Lumens Per Watt 			
	L36.0	<ul style="list-style-type: none"> 30K - 3000K Color Temp 3698 LED Delivered Lumens 102.7LED Delivered Lumens Per Watt 			

REPLACEMENT PART	PART NO	NOTES
4' Lens Assembly	3060060	EB available for L36.0 only.

Don't see the configuration you are looking for?
Call us today at (513) 858-6004



TERONLIGHTING.COM
 33 DONALD DR, FAIRFIELD, OH 45014
 P: 513.858.6004 F: 513.858.6038
 E: SALES@TERONLIGHT.COM



We reserve the right to revise the design components of any product due to parts availability or change in UL standards, without assuming any obligation or liability to modify any products previously manufactured, and without notice.

VICEROY W SLT LED 48"

Architectural Outdoor



Fixture Core

PROJECT:	
TYPE:	
PO#:	QTY:
COMMENTS:	

PRODUCT CODE	SOURCE/WATTAGE	VOLTAGE	DIMMING DRIVER
VCYW48 - Viceroy W 48"	L45.0-ZE875 - 36WLED Strip(s) @ 1100mA Line Voltage 4-Wire Dimming Driver (Dimmable 0 - 10V)	120-277V	0-10V Dimming
ORDER INFO			
VCYW48 Example ^	L45.0-ZE875	120-277V	Not Applicable

Aesthetics & Options

TRIM	FINISH	COLOR TEMP	OPTIONS
SLT	AC - Antique Copper AS - Antique Silver BT - Bronze Mist BZ - Textured Bronze SM - Matte Silver (Standard) SN - Sand SW - Swedish Steel TB - Textured Black TW - Textured White	30K - 3000K Color Temp 35K - 3500K Color Temp 40K - 4000K Color Temp 50K - 5000K Color Temp	EB6 - Integral 6W LED Driver (L36.0 only)
ORDER INFO			
UDL Example ^	SM	30K	Not Applicable

PROD	SOURCE	30K SPECS			
VCYW48	L45.0	<ul style="list-style-type: none"> • 30K-3000K Color Temp • 3698 LED Delivered Lumens • 102.7LED Delivered Lumens Per Watt 			

REPLACEMENT PART	PART NO	NOTES
4' Lens Assembly	3060060	EB available for L36.0 only.

Don't see the configuration you are looking for?
Call us today at (513) 858-6004



TERONLIGHTING.COM
 33 DONALD DR, FAIRFIELD, OH 45014
 P: 513.858.6004 F: 513.858.6038
 E: SALES@TERONLIGHT.COM



We reserve the right to revise the design components of any product due to parts availability or change in UL standards, without assuming any obligation or liability to modify any products previously manufactured, and without notice.