

VICEROY W DL LED 24"

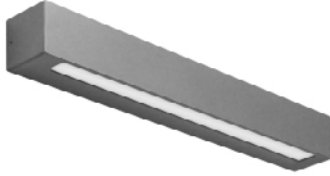
Architectural Outdoor



PROJECT:	
TYPE:	
PO#:	QTY:
COMMENTS:	

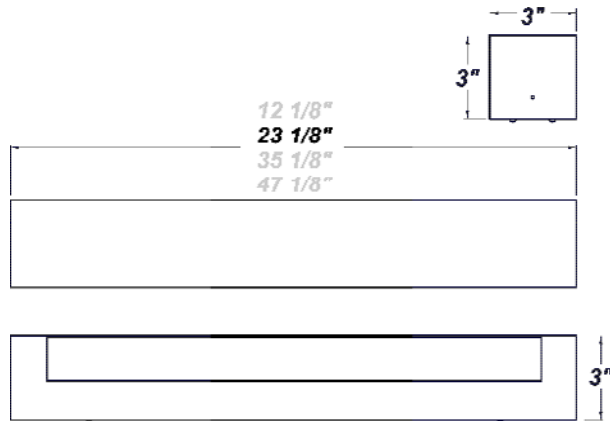
FEATURES

- ADA Compliant
- Aluminum Fixture w/ Matte Silver Powder Coat Finish
- Aluminum Mounting Plate Mounts to Wall Surface (Centered Over Conduit)
- CSA Listed Wet Location For Wall Mount
- Dimmable @ 120-277V
- Down Light Only
- Estimated Lumen Depreciation (TM-21) 70% of Initial Lumens (L70) @ 90,000 Hours
- Integral Surge Protector
- LED Light Fixture
- Requires a 1/2" Watertight Conduit Connector (Not Included)
- White Acrylic Lens
- 0-10V Dimming



LINE DRAWING

LINE DRAWING NOT TO SCALE



FINISHES

Antique Copper	Antique Silver	Bronze Mist	Matte Silver	Sand	Swedish Steel
Textured Black	Textured Bronze	Textured White			

For RAL Colors & Custom Match - Contact Teron Lighting Inc.

VICEROY W DL LED 24"

Architectural Outdoor



Fixture Core

PROJECT:	
TYPE:	
PO#:	QTY:
COMMENTS:	

PRODUCT CODE	SOURCE/WATTAGE	VOLTAGE	DIMMING DRIVER
VCYW24 - Viceroy 24"	L25.0-ZE600 - 25.0W LED Strip(s) @ 600mA Line Voltage 4-Wire Dimming Driver (Dimmable 0 - 10V)	120-277V	0-10V Dimming
ORDER INFO			
VCYW24 Example ^	L25.0-ZE600	120-277V	Not Applicable

Aesthetics & Options

TRIM	FINISH	COLOR TEMP	OPTIONS
DL	AC - Antique Copper AS - Antique Silver BT - Bronze Mist BZ - Textured Bronze SM - Matte Silver (Standard) SN - Sand SW - Swedish Steel TB - Textured Black TW - Textured White	30K - 3000K Color Temp 35K - 3500K Color Temp 40K - 4000K Color Temp 50K - 5000K Color Temp	Not Applicable
ORDER INFO			
DL Example ^	SM	30K	Not Applicable

PROD	SOURCE	30K SPECS				
VCYW24	L25.0	<ul style="list-style-type: none"> 30K - 3000K Color Temp 744 LED Delivered Lumens 30 LED Delivered Lumens Per Watt 				

REPLACEMENT PART	PART NO	NOTES
2' Lens Assembly	3060660	

Don't see the configuration you are looking for?
Call us today at (513) 858-6004



TERONLIGHTING.COM
 33 DONALD DR, FAIRFIELD, OH 45014
 P: 513.858.6004 F: 513.858.6038
 E: SALES@TERONLIGHT.COM



We reserve the right to revise the design components of any product due to parts availability or change in UL standards, without assuming any obligation or liability to modify any products previously manufactured, and without notice.