



INSTALLATION & MAINTENANCE INSTRUCTIONS
FOR THE
**CITADEL W – LED, CITADEL W DL –
LED, and CITADEL Y - LED**

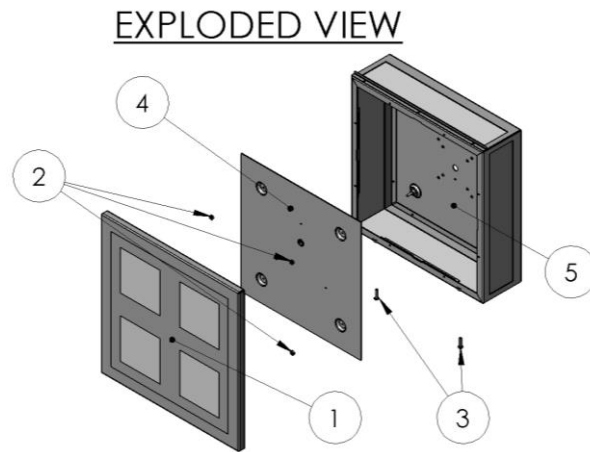
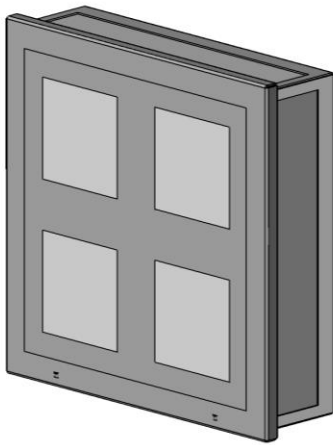
Wall Mounted Luminaire

P.N. 76032

WARNING:

DISCONNECT POWER PRIOR TO INSTALLATION OR SERVICING OF FIXTURE

NOTE: THIS PRODUCT MUST BE INSTALLED IN ACCORDANCE WITH THE APPLICABLE LOCAL & NATIONAL ELECTRICAL CODES BY A PERSON FAMILIAR WITH THE CONSTRUCTION AND FAMILIAR WITH THE OPERATION OF THE PRODUCT AND HAZARDS INVOLVED.



EXPLODED VIEW

INSTALLATION

1. Remove any excess packing from the fixture.
2. This fixture is designed to be mounted to a junction box (supplied by customer) using the mounting holes depicted on the second page.
3. Open the housing assembly by removing lens frame (2) in Figure 1 by removing (3) #8-32 screws on the bottom of the lens frame (1) in Figure 1.
4. Take off LED mounting plate (4) in Figure 1 by removing (4) #6-32 nuts (2) in Figure 1.
5. Line up the back of the housing in desired location and mount using screws on to the junction box (supplied by customer).
6. Complete the wiring to the power source and ground. The Black as Line; White as Common; Bare/Green as Ground. Wire connections to be made inside of housing behind the LED mounting plate (3) in Figure 1.
7. Reassemble the housing by reattaching LED mounting plate and lens frame.
8. Outdoor wall fixtures must be caulked with a suitable waterproof sealant across the top, and down each side of the fixture to properly seal it to the mounting surface. A small space should be open at the bottom for excess moisture runoff.

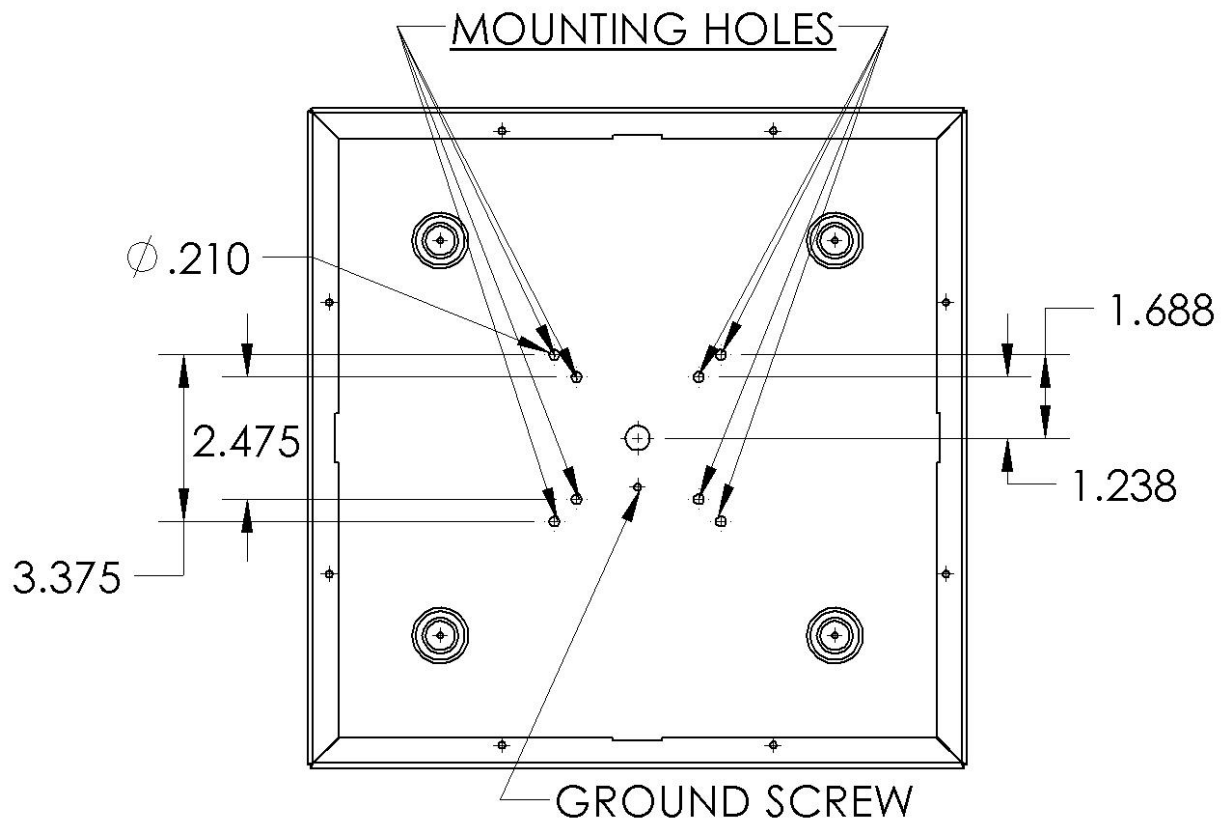
FIGURE 1

MAINTENANCE

DO NOT use cleansers containing bleach.

The metal portion of the fixture can be wiped clean as needed using a mild soap solution.

ATTENTION: Avoid moving any exposed wires. If any wires are accidentally disconnected, call a professional to repair.



MOUNTING HOLE DIAGRAM FOR THE CITADEL LED. DIMENSIONS IN INCHES