

HOLLYWOOD PARK LARGE

Architectural Indoor



PROJECT:	
TYPE:	
PO#:	QTY:
COMMENTS:	

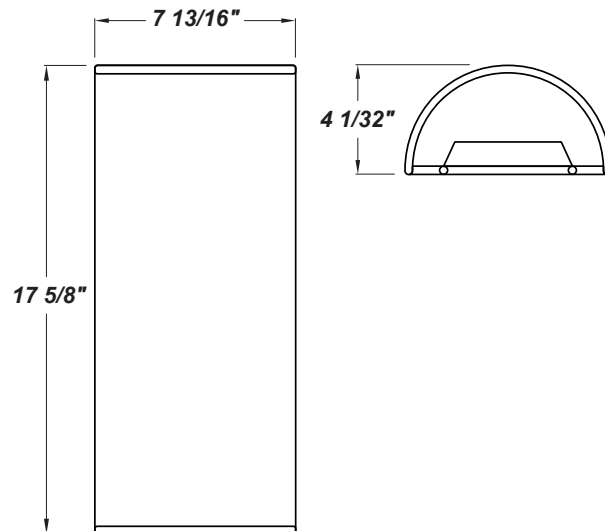


FEATURES

- Aluminum Mounting Pan
- CSA Listed Damp Location Wall and Ceiling
- LED Light Fixture
- Luminous Acrylic Diffuser
- Mounting Hardware Included
- Mounts Directly to 4" Junction Box (By Others)

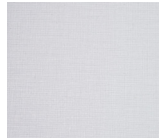
LINE DRAWING

LINE DRAWING NOT TO SCALE

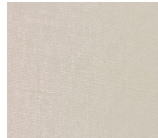


FINISHES

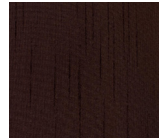
Bleached Linen



Cream Linen



Espresso Linen



Platinum Linen



Textured Eggshell



For RAL Colors
& Custom
Match -
Contact Teron
Lighting Inc.

HOLLYWOOD PARK LARGE

Architectural Indoor



Fixture Core

PROJECT:	
TYPE:	
PO#:	QTY:
COMMENTS:	

PRODUCT CODE	SOURCE/WATTAGE	VOLTAGE	DIMMING DRIVER
HPLS - Hollywood Park Large Sconce	L12.0-LT350 - 12.0W @350mA Constant Current L18.0-LT500 - 12.0W @500mA Constant Current L18.0-ZE500 - 12.0W @500mA Constant Current	120V 270V (50 / 60Hz)	Not Applicable
ORDER INFO			
HPLS Example ^	L12.5-LT350	100 - 277V	Not Applicable

Aesthetics & Options

TRIM	FINISH	COLOR TEMP	OPTIONS
Not Applicable	BLF - Bleached Linen Fabric CLF - Cream Linen Fabric TEF - Textured Eggshell Fabric ESF - Espresso Linen Fabric PLF - Platinum Linen Fabric	30K - 3000K Color Temp 35K - 3500K Color Temp 40K - 4000K Color Temp	F - Fused LC - Laminate Coating (See Notes Below) S - Surge Protector
ORDER INFO			
Not Applicable Example ^	BLF	30K	F

PROD	SOURCE	30K SPECS				
HPLS	L12.0	<ul style="list-style-type: none"> 30K - 3000K Color Temp 1400 LED Source Lumens 116.7 LED Source Lumens Per Watt 				
	L18.0	<ul style="list-style-type: none"> 30K - 3000K Color Temp 1986 LED Source Lumens 110.3 LED Source Lumens Per Watt 				
	L18.0	<ul style="list-style-type: none"> 30K - 3000K Color Temp 1986 LED Source Lumens 110.3 LED Source Lumens Per Watt 				

REPLACEMENT PART	PART NO	NOTES
HPLS-Platinum Linen	3042590	* Laminate Coating allows Lens to be easily wiped down with damp cloth. Not applicable to Textured Eggshell as it comes standard with Laminate Coating. Don't see the configuration you are looking for? Call us today at (513) 858-6004
HPLS-Textured Eggshell Linen	3042586	
HPLS-Espresso Linen	3042587	
HPLS-Cream Linen	3042591	
HPLS-Bleached Linen	3042589	



TERONLIGHTING.COM
 33 DONALD DR, FAIRFIELD, OH 45014
 P: 513.858.6004 F: 513.858.6038
 E: SALES@TERONLIGHT.COM



We reserve the right to revise the design components of any product due to parts availability or change in UL standards, without assuming any obligation or liability to modify any products previously manufactured, and without notice.