



INSTALLATION & MAINTENANCE INSTRUCTIONS
FOR THE
CADDY SQUARE - LED
Wall Mounted Luminaire Part No. 76164 REV.1

WARNING: DISCONNECT POWER PRIOR TO INSTALLATION OR SERVICING OF FIXTURE

NOTE: THIS PRODUCT MUST BE INSTALLED IN ACCORDANCE WITH THE APPLICABLE LOCAL & NATIONAL ELECTRICAL CODES BY A PERSON FAMILIAR WITH THE CONSTRUCTION AND FAMILIAR WITH THE OPERATION OF THE PRODUCT AND HAZARDS INVOLVED.

Fig 1.

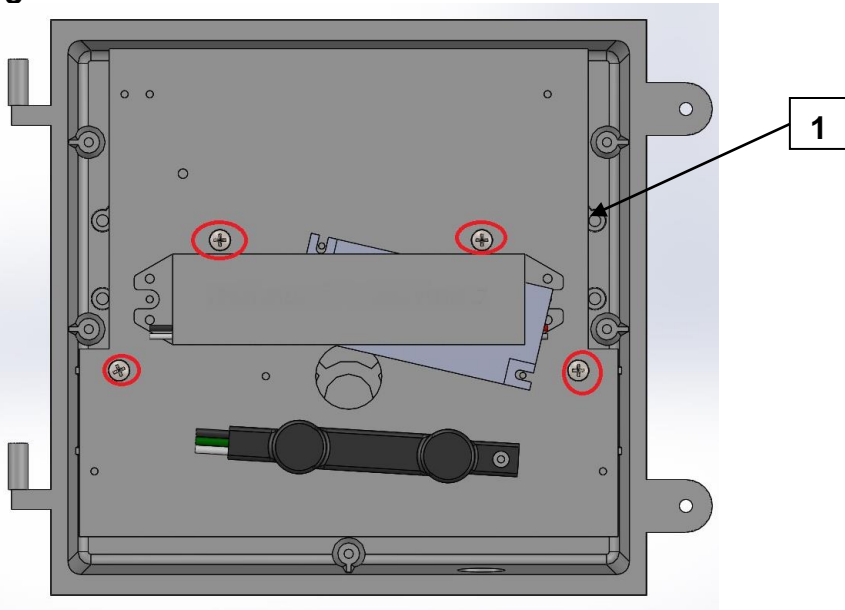
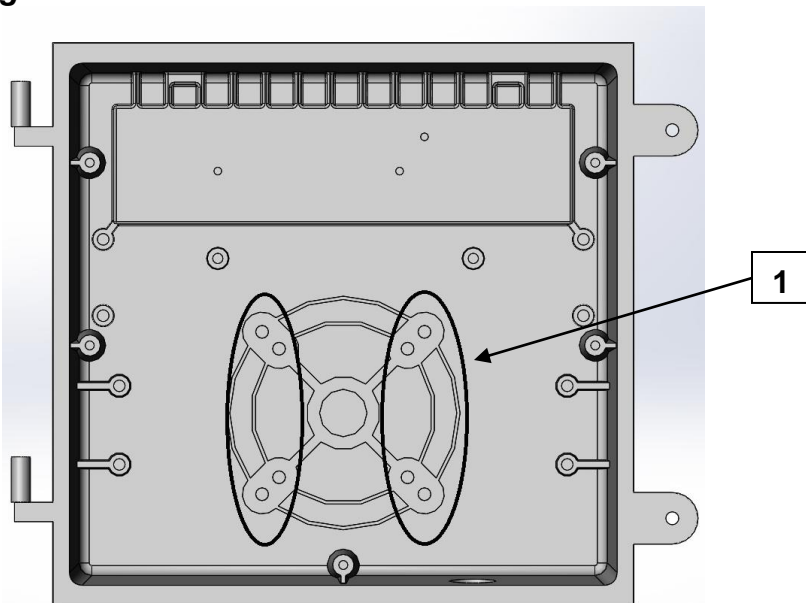


Fig 2.



INSTALLATION

1. Remove any excess packing from the fixture.
2. This fixture is designed to be mounted directly to the junction boxes (supplied by customer).
3. Open the housing assembly by loosening the two screws on the right of the fixture.
4. Take off LED mounting plate (item 1) in Figure 1 by removing 4 screws circled in red in Figure 1. Screws are Located on the center of the LED mounting plate.
5. Knock out appropriate knock outs to mount to junction box. Knock outs (item 1) are circled in Figure 2.
6. Line up the back of the housing in desired location, completely covering junction box and mount securely to the wall with the wall anchors. Attach fixture with two supplied screws.
7. Complete the wiring to the power source and ground. The Black as Line; White as Common; Bare/Green as Ground. Wire connections to be made inside of housing.
8. Reassemble the housing by reattaching LED mounting plate and close the fixture back up.
9. Outdoor wall fixtures **must be caulked** with a suitable waterproof sealant across the top, and at least "half way" down each side of the fixture to properly seal it to the mounting surface. A small space should be open at the bottom for excess moisture runoff.

NOTICE:

Failure to properly caulk around perimeter of the mounting plate or pan on an outdoor fixture when mounted to a wall or ceiling, could lead to water and /or electrical damage and is not covered under the warranty.

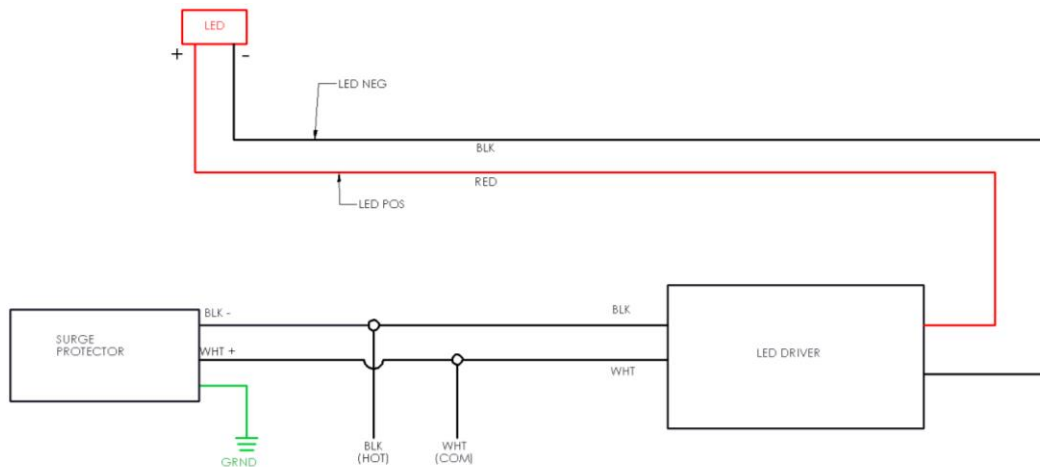
MAINTENANCE

DO NOT use cleansers containing bleach.

The metal portion of the fixture can be wiped clean as needed using a mild soap solution.

ATTENTION: Avoid moving any exposed wires. If any wires are accidentally disconnected, call a professional to repair.

NOTE: Verify the mounting hole dimensions before installing the fixture.
NOTE: Consult 76167 for Emergency Battery Caddy Square.



WIRING DIAGRAM WITH SURGE PROTECTOR