

HOLLYWOOD PARK SMALL 12"

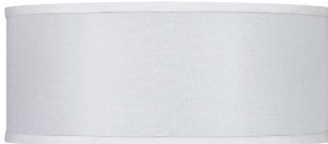
Architectural Indoor



PROJECT:	
TYPE:	
PO#:	QTY:
COMMENTS:	

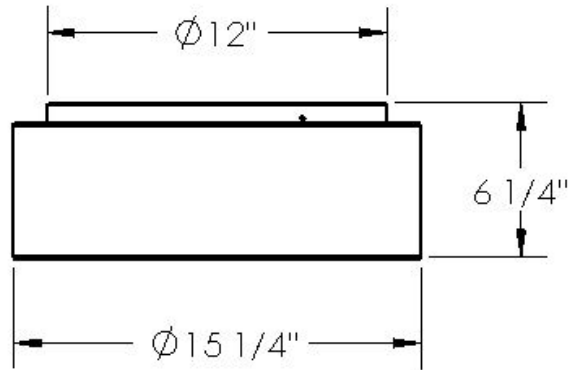
FEATURES

- CSA Listed Damp Location Wall and Ceiling
- LED Light Fixture
- Luminous Fabric Diffuser
- Mounts Directly to 4" Junction Box (By Others)
- Mounting Hardware Included
- Steel Mounting Pan w/ Hi-Reflectance White Powder Coat Finish



LINE DRAWING

LINE DRAWING NOT TO SCALE



FINISHES

Bleached Linen



Cream Linen



Espresso Linen



Platinum Linen



Textured Eggshell



For RAL Colors
& Custom
Match -
Contact Teron
Lighting Inc.

HOLLYWOOD PARK SMALL 12"

Architectural Indoor



Fixture Core

PROJECT:	
TYPE:	
PO#:	QTY:
COMMENTS:	

PRODUCT CODE	SOURCE/WATTAGE	VOLTAGE	DIMMING DRIVER
HPKS - Hollywood Park Small	L13.5-ZE420 - (64) LED Array @ Line Voltage 4-Wire Dimming Driver (Dimmable 0 - 10V)	120-277V (50 / 60Hz)	Not Applicable
ORDER INFO			
HPKS Example ^	L13.5-ZE420	120 - 277V	Not Applicable

Aesthetics & Options

TRIM	FINISH	COLOR TEMP	OPTIONS
Not Applicable	BLF - Bleached Linen Fabric CLF - Cream Linen Fabric TEF - Textured Eggshell Fabric ESF - Espresso Linen Fabric PLF - Platinum Linen Fabric	30K - 3000K Color Temp 35K - 3500K Color Temp 40K - 4000K Color Temp 50K - 5000K Color Temp	ALP - Aluminum Mount Pan w/ White Finish LC- Laminate Coating (See Notes Below) STC12-WH - 12" Stem and Canopy Kit STC24-WH - 24" Stem and Canopy Kit STC36-WH - 36" Stem and Canopy Kit STC48-WH - 48" Stem and Canopy Kit
ORDER INFO			
Not Applicable Example ^	BLF	30K	ALP

PROD	SOURCE	30K SPECS				
HPKS	L13.5	<ul style="list-style-type: none"> 80 CRI Typ. 30K - 30000K Color Tem 2100 LED Source Lumens 155.5 LED Source Lumens Per Watt 				

REPLACEMENT PART	PART NO	NOTES
12" Platinum Linen	3042790	* Laminate Coating allows Lens to be easily wiped down with damp cloth. Not applicable to Textured Eggshell as it comes standard with Laminate Coating.
12" Textured Eggshell Linen	3042786	
12" Espresso Linen	3042787	
12" Cream Linen	3042791	
12" Bleached Linen	3042789	
		Don't see the configuration you are looking for? Call us today at (513) 858-6004



TERONLIGHTING.COM
 33 DONALD DR, FAIRFIELD, OH 45014
 P: 513.858.6004 F: 513.858.6038
 E: SALES@TERONLIGHT.COM



We reserve the right to revise the design components of any product due to parts availability or change in UL standards, without assuming any obligation or liability to modify any products previously manufactured, and without notice.