

TROJAN SM BFP LED

Architectural Outdoor



| | |
|-----------|------|
| PROJECT: | |
| TYPE: | |
| PO#: | QTY: |
| COMMENTS: | |

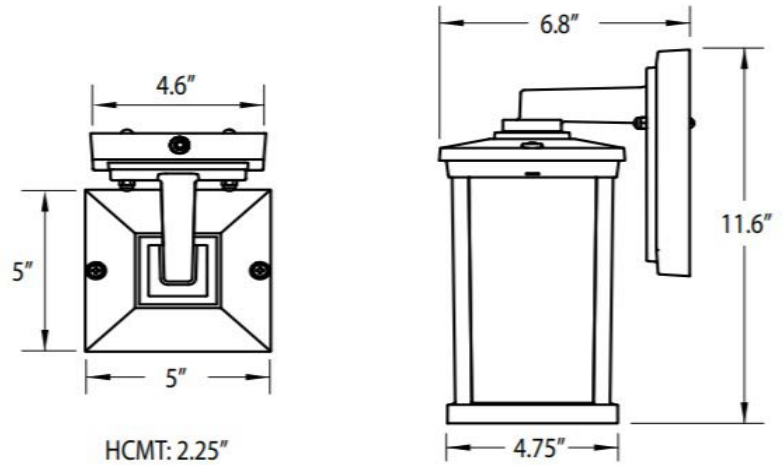
FEATURES

- Composite Resin Housing and Acrylic Lens With UV Protection for Long Term Fade Resistance
- LED Light Fixture
- Mounting Hardware Included
- cUL-UL Listed Wet Location For Wall Mount



LINE DRAWING

LINE DRAWING NOT TO SCALE

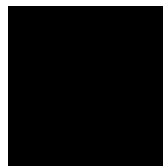


FINISHES

Bronze

Black

White



TROJAN SM BFP LED

Architectural Outdoor



Fixture Core

| | |
|-----------|------|
| PROJECT: | |
| TYPE: | |
| PO#: | QTY: |
| COMMENTS: | |

| PRODUCT CODE | SOURCE/WATTAGE | VOLTAGE | DIMMING DRIVER |
|---|---|-------------|---|
| TJNSM - Trojan Small Budget Friendly LED | L13.0 - (1) 13.0W LED Engine 1X60 - (1) Socket 60W Inc | 120V | TRIAC - TRIAC Dimming (On LED Engine Only) |
| ORDER INFO | | | |
| TJNSM Example ^ | L13.0 | 120V | TRIAC |

Aesthetics & Options

| TRIM | FINISH | COLOR TEMP | OPTIONS |
|-----------------------------|--|--|------------------------|
| Not Applicable | BZ - Bronze BK - Black WH - White | 30K - 3000K Color Temp. 40K - 4000K Color Temp. | PCL - Photocell |
| ORDER INFO | | | |
| Not Applicable Example ^ | BZ | 30K | PCL |

| PROD | SOURCE | 30K SPECS | | | | |
|--------------|--------|---|--|--|--|--|
| TJNSM | L13.0 | <ul style="list-style-type: none"> • 30K - 3000K Color Temp • 1140 LED Delivered Lumens • 88 Lumens Per Watt • 80 CRI | | | | |

| REPLACEMENT PART | PART NO | NOTES |
|------------------|---------|-------|
| | | |



TERONLIGHTING.COM
 33 DONALD DR, FAIRFIELD, OH 45014
 P: 513.858.6004 F: 513.858.6038
 E: SALES@TERONLIGHT.COM



We reserve the right to revise the design components of any product due to parts availability or change in UL standards, without assuming any obligation or liability to modify any products previously manufactured, and without notice.