

PUMA BFP LED

Architectural Outdoor



PROJECT:	
TYPE:	
PO#:	QTY:
COMMENTS:	

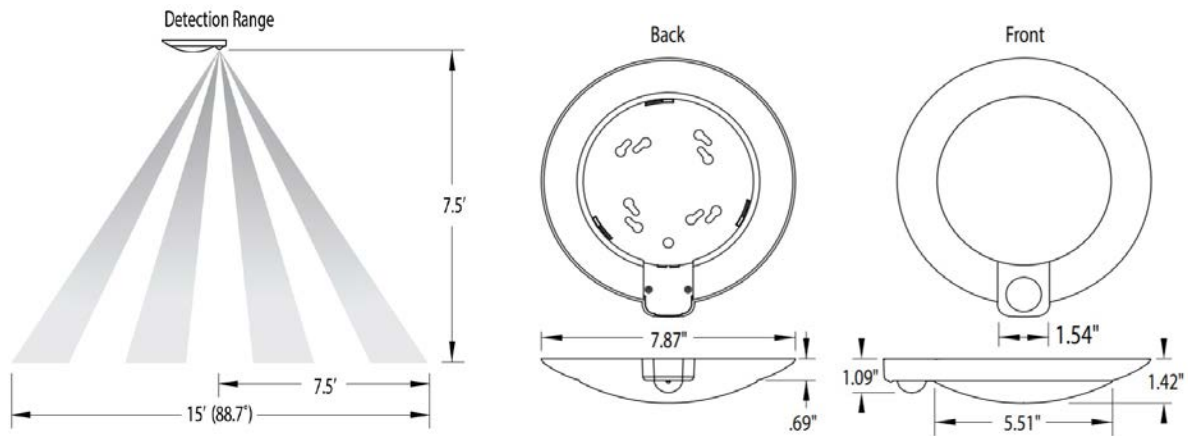
FEATURES

- Frost Polycarbonate Lens
- White Polycarbonate Housing
- LED Light Fixture
- Mounting Hardware Included
- ETL/cETL Listed Dry Location
- Meets Closet Code NEC 410.16 (A)(3) & (C)(5)
- Ceiling Mount Only
- Motion Sensor Standard
- Light Turns Off After 3 Minutes of No Motion



LINE DRAWING

LINE DRAWING NOT TO SCALE



FINISHES

White



PUMA BFP LED

Architectural Outdoor



Fixture Core

PROJECT:	
TYPE:	
PO#:	QTY:
COMMENTS:	

PRODUCT CODE	SOURCE/WATTAGE	VOLTAGE	DIMMING DRIVER
PMA - Puma Budget Friendly LED	L12.0 - (1) 12.0W LED Engine	120V	Not Applicable
ORDER INFO			
PMA Example ^	L12.0	120V	Not Applicable

Aesthetics & Options

TRIM	FINISH	COLOR TEMP	OPTIONS
Not Applicable	WH - White	30K - 3000K Color Temp.	MS - Motion Sensor (Standard)
ORDER INFO			
Not Applicable Example ^	WH	30K	MS

PROD	SOURCE	30K SPECS				
PMA	L12.0	<ul style="list-style-type: none"> • 30K - 3000K Color Temp • 575 LED Delivered Lumens • 45.3 Delivered Lumens Per Watt • 90 CRI 				

REPLACEMENT PART	PART NO	NOTES



TERONLIGHTING.COM
 33 DONALD DR, FAIRFIELD, OH 45014
 P: 513.858.6004 F: 513.858.6038
 E: SALES@TERONLIGHT.COM

We reserve the right to revise the design components of any product due to parts availability or change in UL standards, without assuming any obligation or liability to modify any products previously manufactured, and without notice.