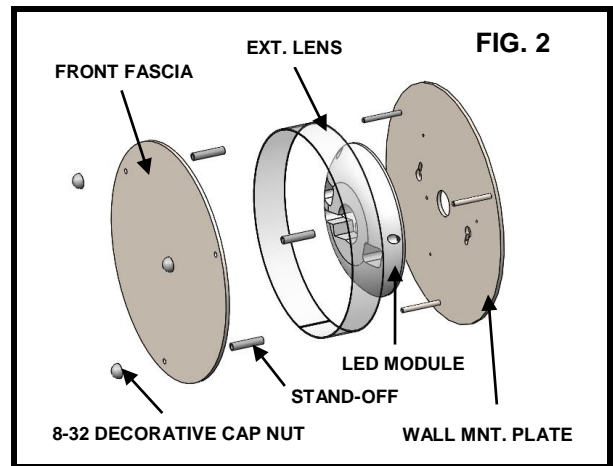
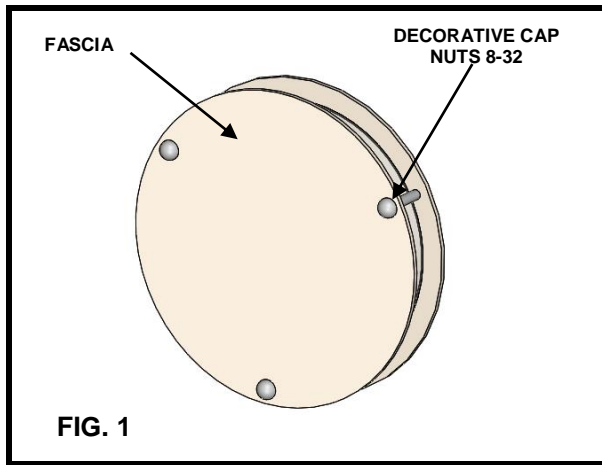




**INSTALLATION & MAINTENANCE INSTRUCTIONS  
FOR THE  
CORONA - LED  
Wall Mounted Luminaire P.N.:76158 REV.1**

**WARNING:** DISCONNECT POWER PRIOR TO INSTALLATION OR SERVICING OF FIXTURE

**NOTE:** THIS PRODUCT MUST BE INSTALLED IN ACCORDANCE WITH THE APPLICABLE LOCAL & NATIONAL ELECTRICAL CODES BY A PERSON FAMILIAR WITH THE CONSTRUCTION AND FAMILIAR WITH THE OPERATION OF THE PRODUCT AND HAZARDS INVOLVED.



**INSTALLATION**

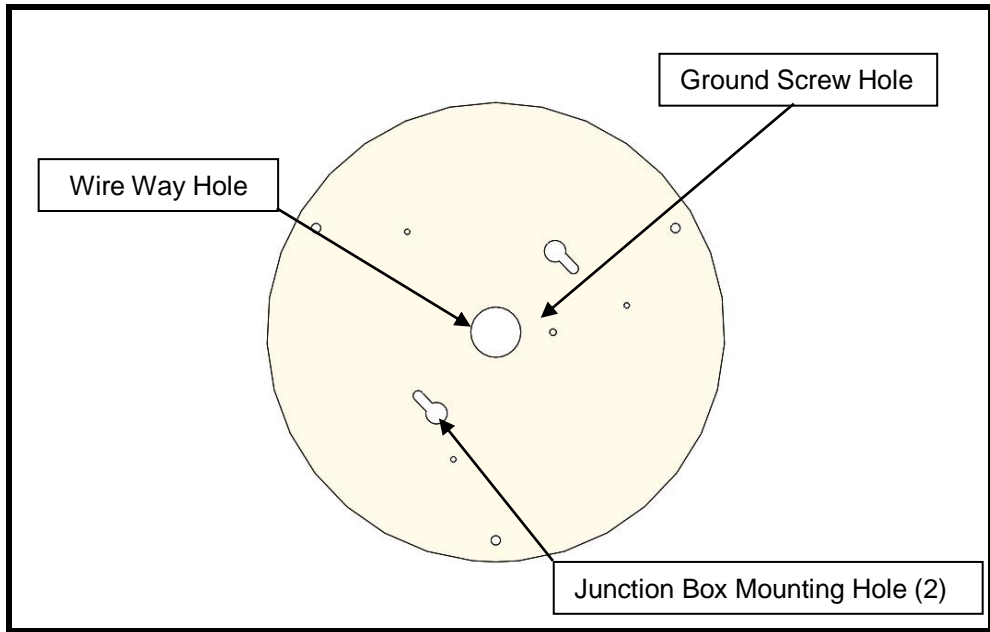
1. Remove any excess packing from the fixture.
2. Open the Housing Assembly by removing (3) Decorative Cap Nuts. Remove Front Fascia Plate and Ext. Lens. (Fig 2.)
3. Pull the supply leads through the center hole in the Wall Mount Back Plate.
4. Connect the fixture leads to the supply inside the junction box. Teron stipulates the Black as Line, White as Common, and Bare/Green as ground. See wiring diagram on page 2.
5. Attach the Wall Mount Plate assembly to junction box using (2) #8-32 X 1 PH screws.
6. Re-assemble and secure the Fascia and Exterior (Ext.) lens to the Wall Mount Back Plate with (3) 8-32 Decorative Cap Nuts.

**MAINTENANCE**

DO NOT use cleansers containing bleach.

The metal portion of the fixture can be wiped clean as needed using a mild soap solution.

**ATTENTION:** Avoid moving any exposed wires. If any wires are accidentally disconnected, call a professional to repair.



**NOTE:** Fixture is to be mounted to the junction box using 8-32 x .75 screws

