

PULSAR BFP LED

Architectural Outdoor



PROJECT:	
TYPE:	
PO#:	QTY:
COMMENTS:	

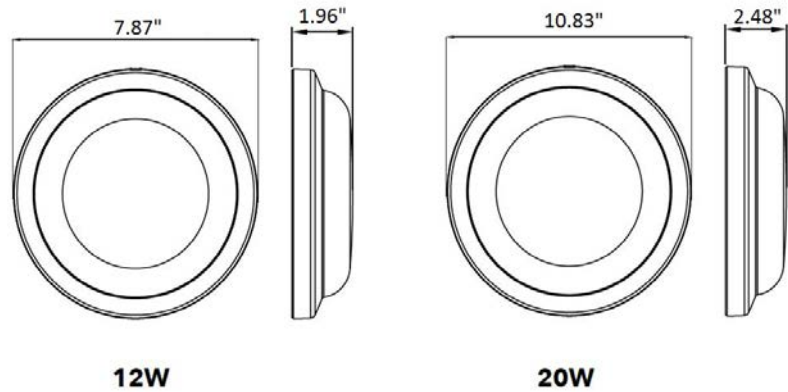


FEATURES

- Polycarbonate Housing
- Frosted Polycarbonate Lens
- Mounting Hardware Included
- LED Light Fixture
- UL Listed For Wet Location

LINE DRAWING

LINE DRAWING NOT TO SCALE



FINISHES

Bronze



PULSAR BFP LED

Architectural Outdoor



Fixture Core

PROJECT:	
TYPE:	
PO#:	QTY:
COMMENTS:	

PRODUCT CODE	SOURCE/WATTAGE	VOLTAGE	DIMMING DRIVER
PLS - Pulsar Budget Friendly LED	L12.0 - 12.0W L20.0 - 20.0W	120V	Not Applicable
ORDER INFO			
PLS Example ^	L12.0	120V	Not Applicable

Aesthetics & Options

TRIM	FINISH	COLOR TEMP
Not Applicable	BZ - Bronze	30K - 3000K Color Temp. 40K - 4000K Color Temp.
ORDER INFO		
Not Applicable Example ^	BZ	30K

PROD	SOURCE	30K SPECS
PLS	L12.0	<ul style="list-style-type: none"> • 30K - 3000K Color Temp • 900 LED Delivered Lumens • 75 Lumens Per Watt • 80 CRI
	L20.0	<ul style="list-style-type: none"> • 30K - 3000K Color Temp • 1427 LED Delivered Lumens • 68 Lumens Per Watt • 80 CRI

REPLACEMENT PART	PART NO	NOTES
		L70 >50,000 Hrs



TERONLIGHTING.COM
 33 DONALD DR, FAIRFIELD, OH 45014
 P: 513.858.6004 F: 513.858.6038
 E: SALES@TERONLIGHT.COM

We reserve the right to revise the design components of any product due to parts availability or change in UL standards, without assuming any obligation or liability to modify any products previously manufactured, and without notice.