

INTREPID BFP LED

Architectural Outdoor



PROJECT:	
TYPE:	
PO#:	QTY:
COMMENTS:	

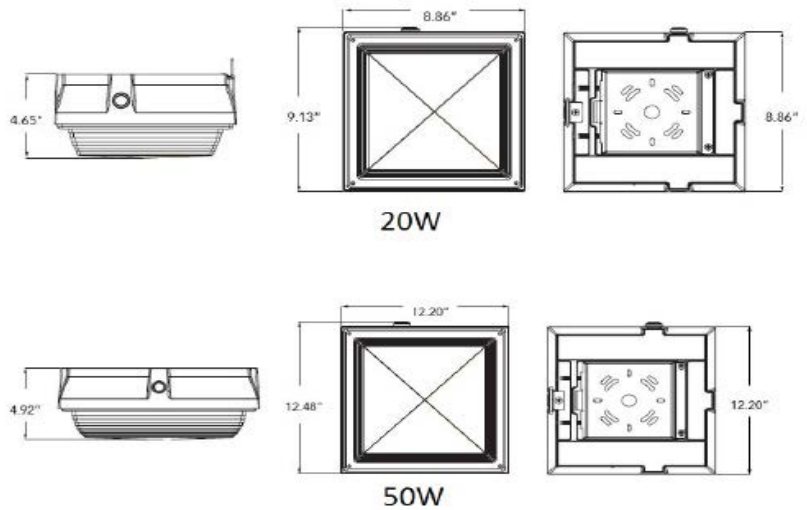


FEATURES

- Aluminum Die Cast Housing
- UV-anti PC cover
- L70 Life span >50,000 hours
- Mounting Hardware Included
- Weight: 2.4 Kg for 20W, 3.2 Kg for 50W
- LED Light Fixture
- Suitable for Wet Locations
- 0-10V Dimmable Driver
- DLC Listed

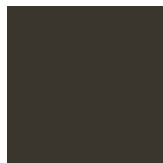
LINE DRAWING

LINE DRAWING NOT TO SCALE



FINISHES

Bronze



INTREPID BFP LED

Architectural Outdoor



Fixture Core

PROJECT:	
TYPE:	
PO#:	QTY:
COMMENTS:	

PRODUCT CODE	SOURCE/WATTAGE	VOLTAGE	DIMMING DRIVER
ITR - Intrepid Budget Friendly LED	L20.0-ZE500 - 20.0W (LED Wattage 18W) L50.0-ZE500 - 50.0W (LED Wattage 45W)	120/277V	0-10V Dimmable
ORDER INFO			
ITR Example ^	L20.0-ZE500	120/277V	

Aesthetics & Options

TRIM	FINISH	COLOR TEMP
Not Applicable	BZ - Bronze	40K - 4000K Color Temp.
ORDER INFO		
Not Applicable Example ^	BZ	40K

PROD	SOURCE	40K SPECS
ITR	L20.0	<ul style="list-style-type: none"> 40K - 4000K Color Temp 2193 LED Source Lumens 90 Lumens Per Watt 83 CRI
	L50.0	<ul style="list-style-type: none"> 40K - 4000K Color Temp 5297 LED Source Lumens 98 Lumens Per Watt 84 CRI

REPLACEMENT PART	PART NO	NOTES



TERONLIGHTING.COM
 33 DONALD DR, FAIRFIELD, OH 45014
 P: 513.858.6004 F: 513.858.6038
 E: SALES@TERONLIGHT.COM

We reserve the right to revise the design components of any product due to parts availability or change in UL standards, without assuming any obligation or liability to modify any products previously manufactured, and without notice.