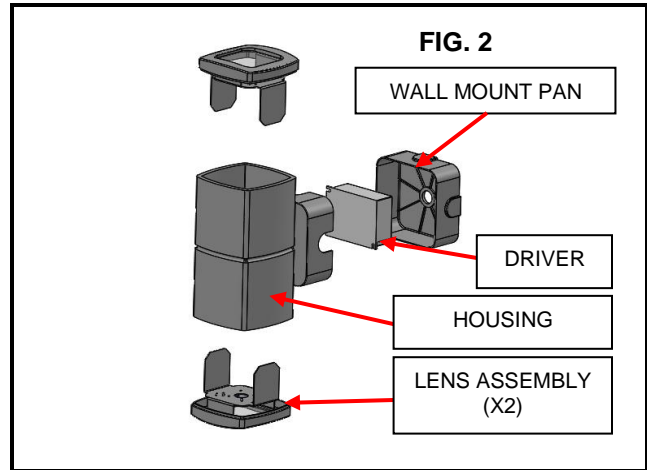
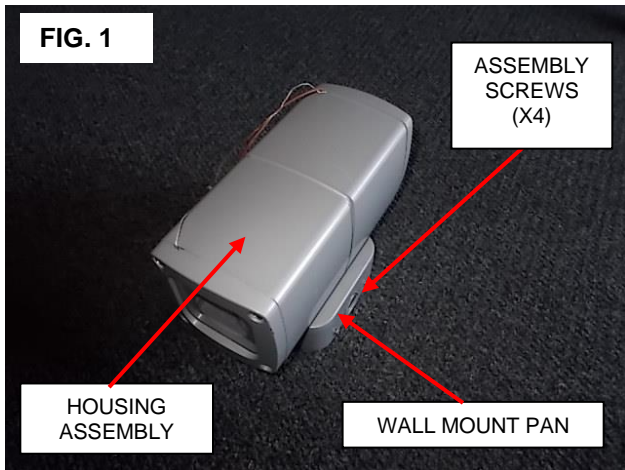




**INSTALLATION & MAINTENANCE INSTRUCTIONS
FOR THE
MYSTERE - LED**
Wall Mounted Luminaire P.N.: 76172 REV. 1

WARNING: DISCONNECT POWER PRIOR TO INSTALLATION OR SERVICING OF FIXTURE

NOTE: THIS PRODUCT MUST BE INSTALLED IN ACCORDANCE WITH THE APPLICABLE LOCAL & NATIONAL ELECTRICAL CODES BY A PERSON FAMILIAR WITH THE CONSTRUCTION AND FAMILIAR WITH THE OPERATION OF THE PRODUCT AND HAZARDS INVOLVED.



INSTALLATION

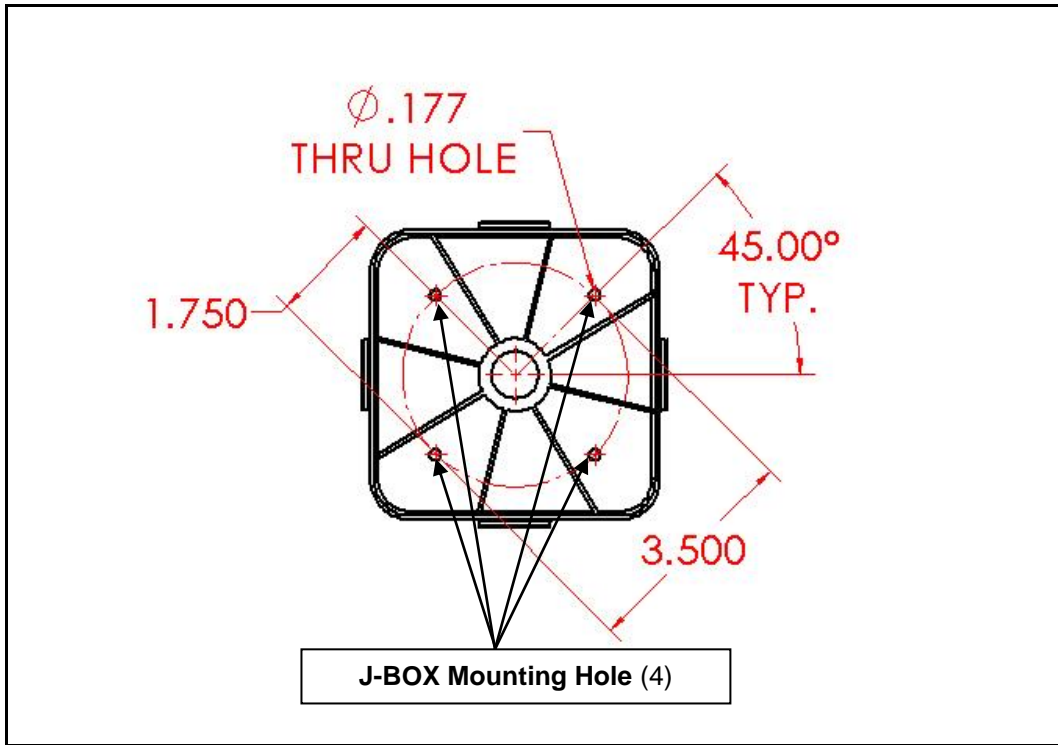
1. Remove any excess packing from the fixture.
2. Remove the wall mounting pan from the Fixture Assembly by loosening the (4) #8-32 X1/2 Assembly Screws and remove from housing assembly. See (Figures 1 & 2)
3. Pull the supply leads through the center hole in the Wall Mounting Pan.
4. Attach the Wall Mounting Plate to junction box using (2) #8-32 X 1 PH screws (**supplied by customer**).
5. Connect the fixture leads to the supply leads. The wire connections are to be made inside the wall mount pan. Teron stipulates the Black as Line, White as Common, and Bare/Green as ground. See wiring diagram on page 2.
6. Reassemble fixture by reattaching the Housing Assembly to the Wall Mounting Plate and securing the assembly in place with (4) #8-32 X1/2 Assembly Screws.

MAINTENANCE

DO NOT use cleansers containing bleach.

The metal portion of the fixture can be wiped clean as needed using a mild soap solution.

ATTENTION: Avoid moving any exposed wires. If any wires are accidentally disconnected, call a professional to repair.



NOTE: Fixture is to be centered over junction box and mounted to the wall using (8-32 screws) from j-box.

WIRING DIAGRAM

