

CUTLASS BFP LED

Architectural Outdoor



PROJECT:	
TYPE:	
PO#:	QTY:
COMMENTS:	

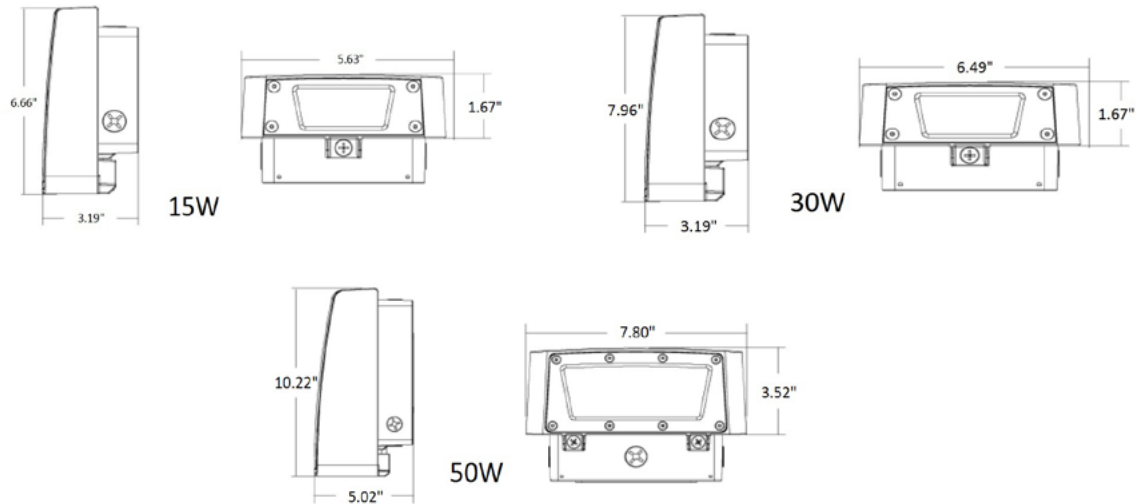


FEATURES

- Aluminum Die Cast Housing
- ADA Compliant (15W, 30W only)
- Anti-UV PC Cover
- L70 Life Span > 50,000 Hours
- Weight: 1.5Kg for 15W, 1.8Kg for 30W, 2.8Kg for 50W
- Mounting Hardware Included
- Dark Sky Compliant Mounting
- LED Light Fixture
- UL Listed Wet Location For Wall Mount
- IP65 Rated Fixture for Outdoor use
- 0-10V (10% - 100%) Dimmable Driver
- DLC Listed

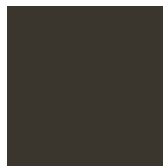
LINE DRAWING

LINE DRAWING NOT TO SCALE



FINISHES

Bronze



CUTLASS BFP LED

Architectural Outdoor



PROJECT:	
TYPE:	
PO#:	QTY:
COMMENTS:	

Fixture Core

PRODUCT CODE	SOURCE/WATTAGE	VOLTAGE	DIMMING DRIVER
CLS - Cutlass Budget Friendly LED	L15.0 - 15.0W (LED Wattage 14W) L30.0 - 30.0W (LED Wattage 27W)	120/277V	0-10V
ORDER INFO			
CLS Example ^	L15.0	120/277V	0-10V

Aesthetics & Options

TRIM	FINISH	COLOR TEMP	OPTIONAL
Not Applicable	BZ - Bronze	40K - 4000K Color Temp.	PHC - Photocell Buttontype
ORDER INFO			
Not Applicable Example ^	BZ	40K	PHC

PROD	SOURCE	40K SPECS				
CLS	L15.0	<ul style="list-style-type: none"> • 40K - 4000K Color Temp • 1633 LED Delivered Lumens • 103 Delivered Lumens Per Watt • 82 CRI 				
	L30.0	<ul style="list-style-type: none"> • 40K - 4000K Color Temp • 3071 LED Delivered Lumens • 101 Delivered Lumens Per Watt • 82 CRI 				

REPLACEMENT PART	PART NO	NOTES



TERONLIGHTING.COM
 33 DONALD DR, FAIRFIELD, OH 45014
 P: 513.858.6004 F: 513.858.6038
 E: SALES@TERONLIGHT.COM

We reserve the right to revise the design components of any product due to parts availability or change in UL standards, without assuming any obligation or liability to modify any products previously manufactured, and without notice.

CUTLASS BFP LED

Architectural Outdoor



Fixture Core

PROJECT:	
TYPE:	
PO#:	QTY:
COMMENTS:	

PRODUCT CODE	SOURCE/WATTAGE	VOLTAGE	DIMMING DRIVER
CLS - Cutlass Budget Friendly LED	L50.0 - 50.0W (LED Wattage 45W)	120/277V	
ORDER INFO			
CLS Example ^	L50.0	120/277V	

Aesthetics & Options

TRIM	FINISH	COLOR TEMP	OPTIONAL
Not Applicable	BZ - Bronze	40K - 4000K Color Temp.	PHC - Photocell Buttontype
ORDER INFO			
Not Applicable Example ^	BZ	40K	PHC

PROD	SOURCE	40K SPECS				
CLS	L50.0	<ul style="list-style-type: none"> • 40K - 4000K Color Temp • 5003 LED Delivered Lumens • 102 Delivered Lumens Per Watt • 82 CRI 				

REPLACEMENT PART	PART NO	NOTES



TERONLIGHTING.COM
 33 DONALD DR, FAIRFIELD, OH 45014
 P: 513.858.6004 F: 513.858.6038
 E: SALES@TERONLIGHT.COM

We reserve the right to revise the design components of any product due to parts availability or change in UL standards, without assuming any obligation or liability to modify any products previously manufactured, and without notice.