

# BANDITO BFP LED

Architectural Outdoor



PROJECT:	
TYPE:	
PO#:	QTY:
COMMENTS:	

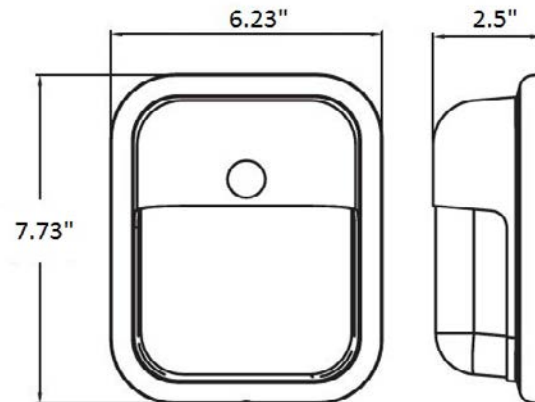


## FEATURES

- Polycarbonate Housing
- White Polycarbonate Lens
- LED Light Fixture
- ADA Compliant
- Mounting Hardware Included
- UL Listed Wet Location For Wall Mount
- Optional Photocell (Cap if not desired)

## LINE DRAWING

LINE DRAWING NOT TO SCALE



## FINISHES

Bronze



# BANDITO BFP LED

Architectural Outdoor



Fixture Core

PROJECT:	
TYPE:	
PO#:	QTY:
COMMENTS:	

PRODUCT CODE	SOURCE/WATTAGE	VOLTAGE	DIMMING DRIVER
<b>BTO</b> - Bandito Budget Friendly LED	<b>L12.0</b> - 12.0W	<b>120V</b>	<b>Not Applicable</b>
ORDER INFO			
BTO Example ^	L20.0	120V	Not Applicable

Aesthetics & Options

TRIM	FINISH	COLOR TEMP
<b>Not Applicable</b>	<b>BZ</b> - Bronze	<b>30K</b> - 3000K Color Temp. <b>40K</b> - 4000K Color Temp.
ORDER INFO		
Not Applicable Example ^	BZ	30K

PROD	SOURCE	30K SPECS
<b>BTO</b>	L12.0	<ul style="list-style-type: none"> <li>• 30K - 3000K Color Temp</li> <li>• 948 LED Delivered Lumens</li> <li>• 79 Lumens Per Watt</li> <li>• 80 CRI</li> </ul>

REPLACEMENT PART	PART NO	NOTES
		L70 >50,000 Hrs



**TERONLIGHTING.COM**  
 33 DONALD DR, FAIRFIELD, OH 45014  
 P: 513.858.6004 F: 513.858.6038  
 E: SALES@TERONLIGHT.COM

We reserve the right to revise the design components of any product due to parts availability or change in UL standards, without assuming any obligation or liability to modify any products previously manufactured, and without notice.