

# AURORA BFP LED

Architectural Outdoor



PROJECT:	
TYPE:	
PO#:	QTY:
COMMENTS:	

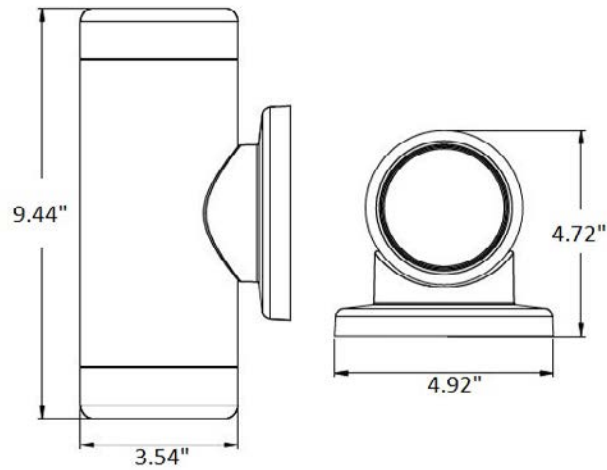


## FEATURES

- Frosted Polycarbonate End Caps
- Aluminum Die Cast Housing
- Up & Down LED Light Fixture
- Universal Mounting Plate with Integral Wire Hooks Included
- cUL-UL Listed Wet Location For Wall Mount
- V-Shaped Beam Spread with Forward Throw

## LINE DRAWING

LINE DRAWING NOT TO SCALE



## FINISHES

Bronze



# AURORA BFP LED

Architectural Outdoor



Fixture Core

PROJECT:	
TYPE:	
PO#:	QTY:
COMMENTS:	

PRODUCT CODE	SOURCE/WATTAGE	VOLTAGE	DIMMING DRIVER
AUR - Aurora Budget Friendly	L20.0 - 20.0W	120V	Not Applicable
ORDER INFO			
AUR	L20.0	120V	Not Applicable
Example ^			

Aesthetics & Options

TRIM	FINISH	COLOR TEMP
Not Applicable	BZ - Textured Bronze	30K - 3000K Color Temp. 40K - 4000K Color Temp.
ORDER INFO		
Not Applicable	BZ	30K
Example ^		

PROD	SOURCE	30K SPECS
AUR	L20.0	<ul style="list-style-type: none"> <li>• 30K - 3000K Color Temp</li> <li>• 656 LED Delivered Lumens (Per Side)</li> <li>• 1312 LED Delivered Lumens (Total)</li> <li>• 65,6 Delivered Lumens Per Watt</li> <li>• 80 CRI</li> </ul>

REPLACEMENT PART	PART NO	NOTES
		L70 >50,000 Hrs



**TERONLIGHTING.COM**  
 33 DONALD DR, FAIRFIELD, OH 45014  
 P: 513.858.6004 F: 513.858.6038  
 E: SALES@TERONLIGHT.COM

We reserve the right to revise the design components of any product due to parts availability or change in UL standards, without assuming any obligation or liability to modify any products previously manufactured, and without notice.