

VOLTAIR LED

Architectural Outdoor



PROJECT:	
TYPE:	
PO#:	QTY:
COMMENTS:	

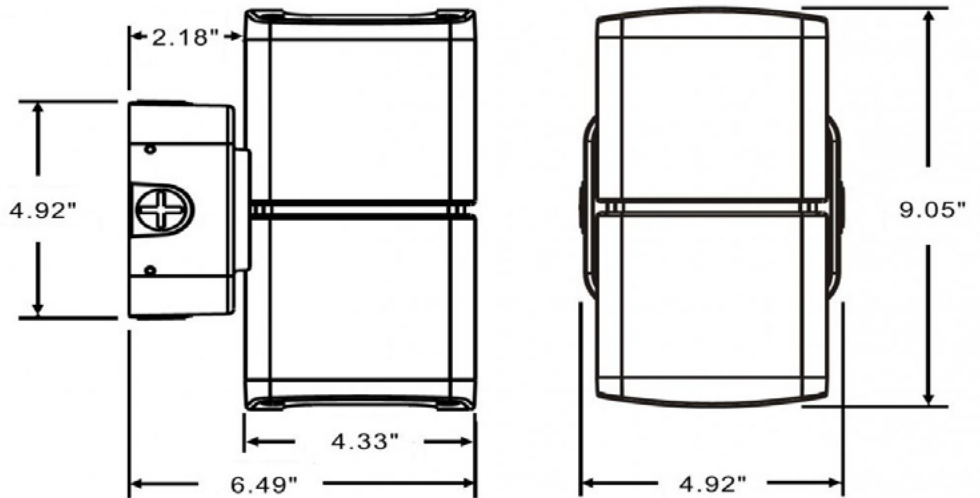


FEATURES

- Aluminum Die Cast Housing w/ Silver Powder Coat Finish
- Four Side Conduit Entry Points
- Glass Outer Diffusers
- IP 65 Rated
- LED Light Fixture
- Mounting Hardware Included
- UL Listed Wet Location For Wall Mount Only
- Up and Down Lighting

LINE DRAWING

LINE DRAWING NOT TO SCALE



FINISHES

Silver



VOLTAIR LED

Architectural Outdoor



Fixture Core

PROJECT:	
TYPE:	
PO#:	QTY:
COMMENTS:	

PRODUCT CODE	SOURCE/WATTAGE	VOLTAGE	DIMMING DRIVER
VLT - Voltair LED	L30.0 - 350mA (2) 15W LED Modules Up and Down Light	120-277V (50/60 Hz)	Not Applicable
ORDER INFO			
VLT	L30.0	120-277V	Not Applicable

Example ^ (may not represent a manufacturable product)

Aesthetics & Options

TRIM	FINISH	COLOR TEMP	OPTIONS
Not Applicable	SR - Silver (Standard)	50K - 5000K Color Temp	Not Applicable
ORDER INFO			
Not Applicable	SR	50K	Not Applicable

Example ^ (may not represent a manufacturable product)

PROD	SOURCE	40K SPECS				
VLT	L30.0	<ul style="list-style-type: none"> 40K - 4000K Color Temp 2800 Combined Delivered Lumens 1400 Delivered Lumens Up 1400 Delivered Lumens Down 93.3 Delivered Lumens Per Watt 				

REPLACEMENT PART	PART NO	NOTES
N/A	N/A	Don't see the configuration you are looking for? Call us today at (513) 858-6004



TERONLIGHTING.COM
 33 DONALD DR, FAIRFIELD, OH 45014
 P: 513.858.6004 F: 513.858.6038
 E: SALES@TERONLIGHT.COM

We reserve the right to revise the design components of any product due to parts availability or change in UL standards, without assuming any obligation or liability to modify any products previously manufactured, and without notice.