

FP 2X4 LED

Architectural Indoor



PROJECT:	
TYPE:	
PO#:	QTY:
COMMENTS:	

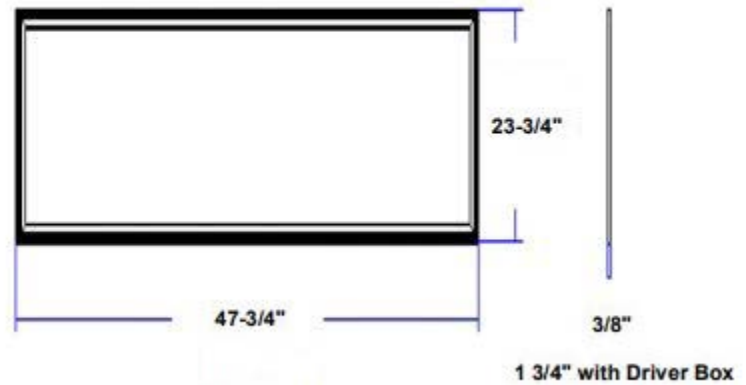
FEATURES

- 0-10V Dimmable
- Low Profile Seamless Aluminum Frame
- Acrylic Lens
- LED Light Fixture
- Isolated Driver Box
- UL Listed Dry Location For Ceiling Mount



LINE DRAWING

LINE DRAWING NOT TO SCALE



FINISHES

Matte White



FP 2X4 LED

Architectural Indoor



Fixture Core

PROJECT:	
TYPE:	
PO#:	QTY:
COMMENTS:	

PRODUCT CODE	SOURCE/WATTAGE	VOLTAGE	DIMMING DRIVER
FP2X4 - Flat Panel 2' x 4'	L48.0-ZE1050 - 48.0W @ 1050mA Dimming Driver	120V - 277V	0-10V Dimming
ORDER INFO			
FP2X4 Example ^	L48.0-ZE1050	120-277V	

Aesthetics & Options

TRIM	FINISH	COLOR TEMP
Not Applicable	MW - Matte White (Standard)	30K - 3000K Color Temp. 40K - 4000K Color Temp. 50K - 5000K Color Temp.
ORDER INFO		
Not Applicable Example ^	MW	30K

PROD	SOURCE	30K SPECS	40K SPECS
FP2X4	L48.0	<ul style="list-style-type: none"> 30K - 3000K Color Temp 4560 LED Source Lumens 95 Lumens Per Watt 80 CRI 	<ul style="list-style-type: none"> 40K - 4000K Color Temp 4700 LED Source Lumens 97.9 Lumens Per Watt 80 CRI

REPLACEMENT PART	PART NO	NOTES



TERONLIGHTING.COM
 33 DONALD DR, FAIRFIELD, OH 45014
 P: 513.858.6004 F: 513.858.6038
 E: SALES@TERONLIGHT.COM

We reserve the right to revise the design components of any product due to parts availability or change in UL standards, without assuming any obligation or liability to modify any products previously manufactured, and without notice.