

# CYPRESS 1T MD MCT LED

Architectural Indoor



PROJECT:	
TYPE:	
PO#:	QTY:
COMMENTS:	

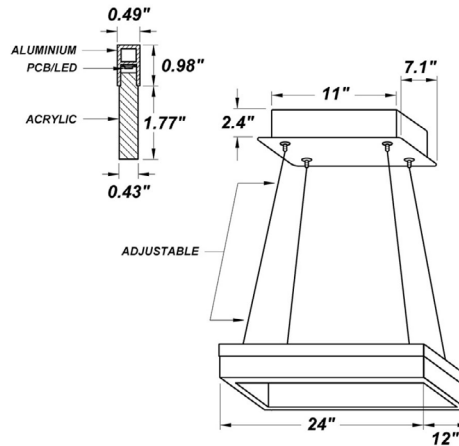


## FEATURES

- 0-10V Dimmable
- Direct Down Light
- Frosted Acrylic Lens
- LED Light Fixture
- Low Profile Seamless Aluminum Frame
- MCT 3000k, 3500k, 4000k
- Rectangular Driver Box Hanging System (Standard)
- Suspended LED Rectangle Dimensions: 24" x 12"
- Suspended LED Rectangle Height: 2.75"
- Suspended LED Rectangle Thickness: 0.49"
- Suspension Cables are 6' Long and Field Adjustable
- UL Listed Dry Location For Ceiling Mount

## LINE DRAWING

LINE DRAWING NOT TO SCALE

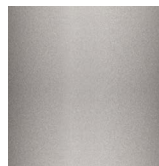
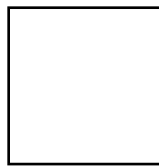


## FINISHES

Matte Black

Matte White

Platinum



# CYPRESS 1T MD MCT LED

Architectural Indoor



Fixture Core

PROJECT:	
TYPE:	
PO#:	QTY:
COMMENTS:	

PRODUCT CODE	SOURCE/WATTAGE	VOLTAGE	DIMMING DRIVER
<b>CYR1T-MD</b> - Cypress 1 Tier 24" x 12"	<b>L30.0-ZE600mA</b> - 30.0W @ 600mA Dimming Driver	<b>120V - 277V</b>	<b>ZE - 0-10V Dimming</b>
ORDER INFO			
CYR1T-MD Example ^	L30.0-ZE600	120-277V	Not Applicable

Aesthetics & Options

TRIM	FINISH	COLOR TEMP
<b>Not Applicable</b>	<b>BK</b> - Matte Black <b>MW</b> - Matte White (Standard) <b>PL</b> - Platinum	<b>MCT</b> - 3000K, 3500K, 4000K Color Temp.
ORDER INFO		
Not Applicable Example ^	BK	MCT

PROD	SOURCE	30K SPECS	40K SPECS
<b>CYR1T-MD</b>	L30.0	<ul style="list-style-type: none"> <li>• 30K - 3000K Color Temp</li> <li>• 2350 LED Source Lumens</li> <li>• 78.3 Lumens Per Watt</li> <li>• 80 CRI</li> </ul>	<ul style="list-style-type: none"> <li>• 40K - 4000K Color Temp</li> <li>• 2450 LED Source Lumens</li> <li>• 81.6 Lumens Per Watt</li> <li>• 80 CRI</li> </ul>

REPLACEMENT PART	PART NO	NOTES



**TERONLIGHTING.COM**  
 33 DONALD DR, FAIRFIELD, OH 45014  
 P: 513.858.6004 F: 513.858.6038  
 E: SALES@TERONLIGHT.COM

We reserve the right to revise the design components of any product due to parts availability or change in UL standards, without assuming any obligation or liability to modify any products previously manufactured, and without notice.