

HERITAGE SHALLOW CRS LED

Architectural Outdoor



PROJECT:	
TYPE:	
PO#:	QTY:
COMMENTS:	

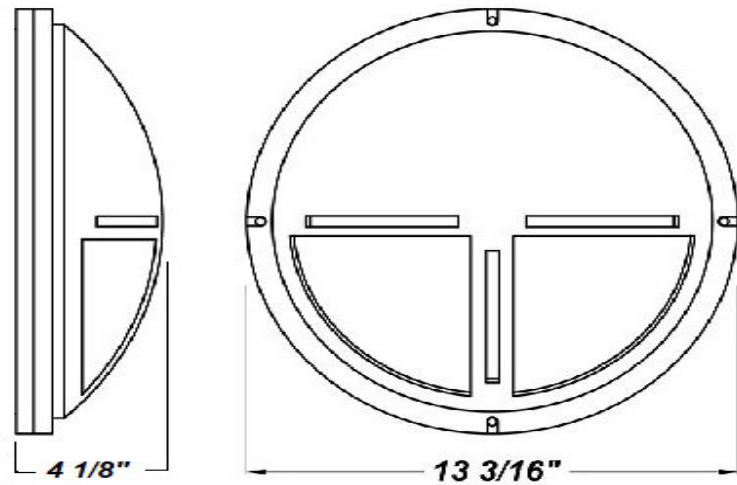


FEATURES

- Die-Cast, Marine Grade Aluminum Housing
- Injection Molded Polycarbonate Fascia w/ Weep Holes
- Translucent White Injection Molded Lens Frame
- UV-Stabilizing Polycarbonate Diffuser
- EPMD Ribbed / Foam Rubber Gasketing
- Junction Box Pattern on Housing For Easy Mounting
- 100V - 277V
- CSA Listed Wet Location For Wall or Ceiling Mount

LINE DRAWING

LINE DRAWING NOT TO SCALE



FINISHES

For RAL Colors
& Custom
Match -
Contact Teron
Lighting Inc.

HERITAGE SHALLOW CRS LED

Architectural Outdoor



Fixture Core

PROJECT:	
TYPE:	
PO#:	QTY:
COMMENTS:	

PRODUCT CODE	SOURCE/WATTAGE	VOLTAGE	DIMMING DRIVER
HRTS - Heritage Shallow	L20.0- ZE700 - 20 Watts @ 20 700mA (0-10V Dimming Driver)	100 - 277V (50 / 60Hz)	0-10V Dimming
ORDER INFO			
HRTS	L20.0-ZE700	100 - 277V	Not Applicable

Example ^ (may not represent a manufacturable product)

Aesthetics & Options

TRIM	FINISH	COLOR TEMP	OPTIONS
CRS	BK - Matte Black BZ - Matte Bronze WH - Matte White TI - Matte Titanium	27K - 2700K Color Temp 30K - 3000K Color Temp 35K - 3500K Color Temp 40K - 4000K Color Temp 50K - 5000K Color Temp	TP - Tamper Resistant Screws
ORDER INFO			
CRS	BK	30K	TP

Example ^ (may not represent a manufacturable product)

PROD	SOURCE	30K SPECS			
HRTS	L20.0	<ul style="list-style-type: none"> 30K - 3000K Color Temp 3398.5 LED Source Lumens 169.9 LED Source Lumens Per Watt 			

REPLACEMENT PART	PART NO	NOTES
White Ribbed Polycarbonate Diffuser	3408360	
Frosted Ribbed Polycarbonate Diffuser	3408362	

Don't see the configuration you are looking for?
Call us today at (513) 858-6004



TERONLIGHTING.COM
33 DONALD DR, FAIRFIELD, OH 45014
P: 513.858.6004 F: 513.858.6038
E: SALES@TERONLIGHT.COM



We reserve the right to revise the design components of any product due to parts availability or change in UL standards, without assuming any obligation or liability to modify any products previously manufactured, and without notice.