

PORTER BFP LED

Architectural Outdoor



PROJECT:	
TYPE:	
PO#:	QTY:
COMMENTS:	

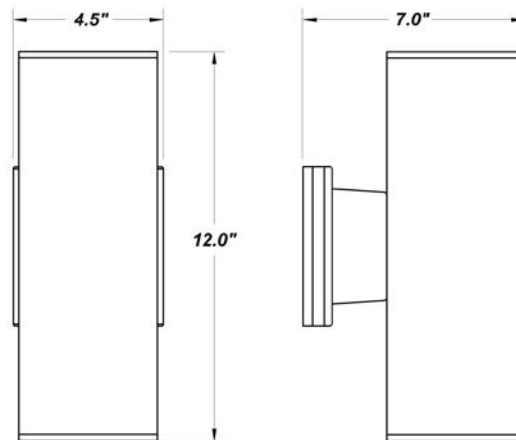


FEATURES

- Die-Cast Aluminum Housing
- Anodized Aluminum Reflector
- Glass Lens
- Mounts Directly to 4" Junction Box (By Others)
- Wet Location
- ETL/cETL Listed
- LED Light Fixture
- Up and Down Light Only

LINE DRAWING

LINE DRAWING NOT TO SCALE

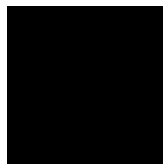


FINISHES

Oil Rubbed
Bronze



Black



PORTER BFP LED

Architectural Indoor



Fixture Core

PROJECT:	
TYPE:	
PO#:	QTY:
COMMENTS:	

PRODUCT CODE	SOURCE/WATTAGE	VOLTAGE	DIMMING DRIVER
PTR - Porter	L16.0-500 - (1) 16.0W @ 500mA Driver	120-277V (Non Dimming)	Not Dimmable
ORDER INFO			
PTR Example ^	L16.0-500	120V	Not Applicable

Aesthetics & Options

TRIM	FINISH	COLOR TEMP	OPTIONS
Not Applicable	ORB - Oil Rubbed Bronze (Standard) BK - Black	30K - 3000K Color Temp. 40K - 4000K Color Temp.	Not Applicable
ORDER INFO			
Not Applicable Example ^	ORB	30K	Not Applicable

PROD	SOURCE	30K SPECS				
PTR	L16.0	<ul style="list-style-type: none"> 30K - 3000K Color Temp 1560 LED Delivered Lumens 97.5 LED Delivered Lumens Per Watt 				

REPLACEMENT PART	PART NO	NOTES
		L70 >35,000 hrs Minimum Starting Temperature = -20 Degrees C



TERONLIGHTING.COM
 33 DONALD DR, FAIRFIELD, OH 45014
 P: 513.858.6004 F: 513.858.6038
 E: SALES@TERONLIGHT.COM

We reserve the right to revise the design components of any product due to parts availability or change in UL standards, without assuming any obligation or liability to modify any products previously manufactured, and without notice.