

NIKE PD BFP LED 10"

Architectural Indoor



PROJECT:	
TYPE:	
PO#:	QTY:
COMMENTS:	

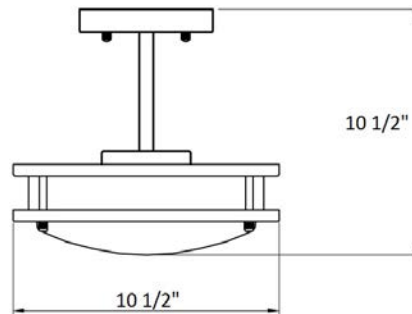


FEATURES

- Die-Formed Cold-Rolled Steel Housing
- Anodized Aluminum Reflector
- White Acrylic Lens
- Mounts Directly to 4" Junction Box (By Others)
- ETL/cETL Listed Dry Location
- LED Light Fixture
- Mounting Hardware Included

LINE DRAWING

LINE DRAWING NOT TO SCALE



FINISHES

Brushed
Nickel



NIKE PD BFP LED 10"

Architectural Indoor



Fixture Core

PROJECT:	
TYPE:	
PO#:	QTY:
COMMENTS:	

PRODUCT CODE	SOURCE/WATTAGE	VOLTAGE	DIMMING DRIVER
NEBPD10 - Nike PD BFP LED 10"	L16.0-LT500 - (1) 16W @ 500mA Triac Dimming Driver	120V (50/60 Hz)	Triac Dimming (120V Only)
ORDER INFO			
NEBPD10	L16.0-LT500	120V	Triac Dimming

Example ^

Aesthetics & Options

TRIM	FINISH	COLOR TEMP	OPTIONS
Not Applicable	BN - Brushed Nickel (Standard)	30K - 3000K Color Temp. 40K - 4000K Color Temp.	
ORDER INFO			
Not Applicable	BN	30K	

Example ^

PROD	SOURCE	30K SPECS				
NEBPD10	L16.0	<ul style="list-style-type: none"> 30K - 3000K Color Temp 1116.8 LED Delivered Lumens 93.1 LED Source Lumens Per Watt 80 CRI 				

REPLACEMENT PART	PART NO	NOTES



TERONLIGHTING.COM
 33 DONALD DR, FAIRFIELD, OH 45014
 P: 513.858.6004 F: 513.858.6038
 E: SALES@TERONLIGHT.COM

We reserve the right to revise the design components of any product due to parts availability or change in UL standards, without assuming any obligation or liability to modify any products previously manufactured, and without notice.