

# LOTUS BFP LED

Architectural Outdoor



PROJECT:	
TYPE:	
PO#:	QTY:
COMMENTS:	

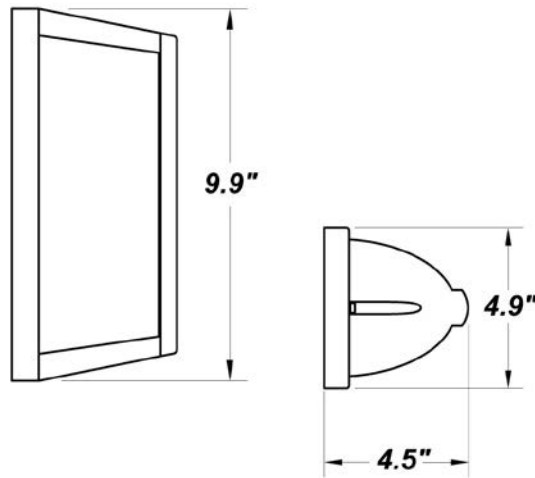


## FEATURES

- Die-Cast Aluminum Fascia w/ Textured Black Powder Coat Finish
- White Polycarbonate Lens
- Energy Star
- ETL/cETL listed for Wet Location Wall Mount
- LED Light Fixture
- Mounting Hardware Included

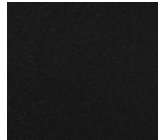
## LINE DRAWING

LINE DRAWING NOT TO SCALE



## FINISHES

Textured  
Black



# LOTUS BFP LED

Architectural Outdoor



Fixture Core

PROJECT:	
TYPE:	
PO#:	QTY:
COMMENTS:	

PRODUCT CODE	SOURCE/WATTAGE	VOLTAGE	DIMMING DRIVER
LS - Lotus	L15.0-500 - (1) 15.0W @ 500mA Driver	120V (50/60 Hz)	Not Applicable
ORDER INFO			
LS	L15.0-500	120V	Not Applicable
Example ^			

Aesthetics & Options

TRIM	FINISH	COLOR TEMP	OPTIONS
Not Applicable	TB - Textured Black (Standard)	30K - 3000K Color Temp. 40K - 4000K Color Temp.	Not Applicable
ORDER INFO			
Not Applicable	TB	30K	Not Applicable
Example ^			

PROD	SOURCE	30K SPECS				
LS	L15.0	<ul style="list-style-type: none"> <li>30K - 3000K Color Temp</li> <li>556 LED Delivered Lumens</li> <li>37 LED Delivered Lumens Per Watt</li> </ul>				

REPLACEMENT PART	PART NO	NOTES



TERONLIGHTING.COM  
 33 DONALD DR, FAIRFIELD, OH 45014  
 P: 513.858.6004 F: 513.858.6038  
 E: SALES@TERONLIGHT.COM

We reserve the right to revise the design components of any product due to parts availability or change in UL standards, without assuming any obligation or liability to modify any products previously manufactured, and without notice.