

DUNLOP BFP LED 36"

Architectural Indoor



PROJECT:	
TYPE:	
PO#:	QTY:
COMMENTS:	

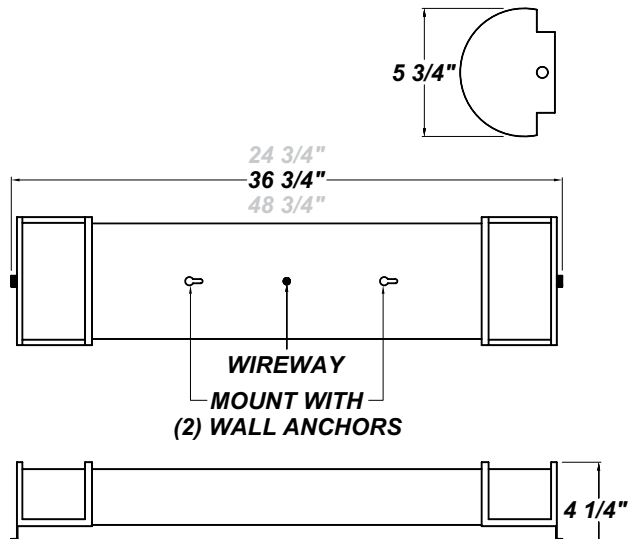
FEATURES

- Die-Formed Cold-Rolled Steel End Caps w/ Brushed Nickel Plated Finish
- ETL Listed Fixture
- LED Light Fixture
- Luminous White Acrylic Diffuser
- Mounts Directly to Surface w/ Two Wall Anchors
- Steel Housing w/ Hi-Reflectance White Powder Coat Finish



LINE DRAWING

LINE DRAWING NOT TO SCALE



FINISHES

Brushed Nickel



DUNLOP BFP LED 36"

Architectural Indoor



Fixture Core

PROJECT:	
TYPE:	
PO#:	QTY:
COMMENTS:	

PRODUCT CODE	SOURCE/WATTAGE	VOLTAGE	DIMMING DRIVER
DPB36 - Dunlop BFP 36"	L34.0 - 1050mA Driver	120-277V	Not Applicable
ORDER INFO			
DPB36 Example ^	L34.0	120-277V	Not Applicable

Aesthetics & Options

TRIM	FINISH	COLOR TEMP	OPTIONS
Not Applicable	BN - Brushed Nickel Plate (Standard)	30K - 3000K Color Temp 40K - 4000K Color Temp	Not Applicable
ORDER INFO			
Not Applicable Example ^	BN	30K	Not Applicable

PROD	SOURCE	30K SPECS	40K SPECS			
DPB 36"	L34.0	<ul style="list-style-type: none"> 30K - 3000K Color Temp 2910 LED Source Lumens 85.6 LED Source Lumens Per Watt 	<ul style="list-style-type: none"> 30K - 3000K Color Temp 3000 LED Source Lumens 88.2 LED Source Lumens Per Watt 			

REPLACEMENT PART	PART NO	NOTES
36" White Acrylic LED Lens Assembly	38219	



TERONLIGHTING.COM
 33 DONALD DR, FAIRFIELD, OH 45014
 P: 513.858.6004 F: 513.858.6038
 E: SALES@TERONLIGHT.COM

We reserve the right to revise the design components of any product due to parts availability or change in UL standards, without assuming any obligation or liability to modify any products previously manufactured, and without notice.