

# DUNLOP BFP LED 24"

Architectural Indoor



PROJECT:	
TYPE:	
PO#:	QTY:
COMMENTS:	

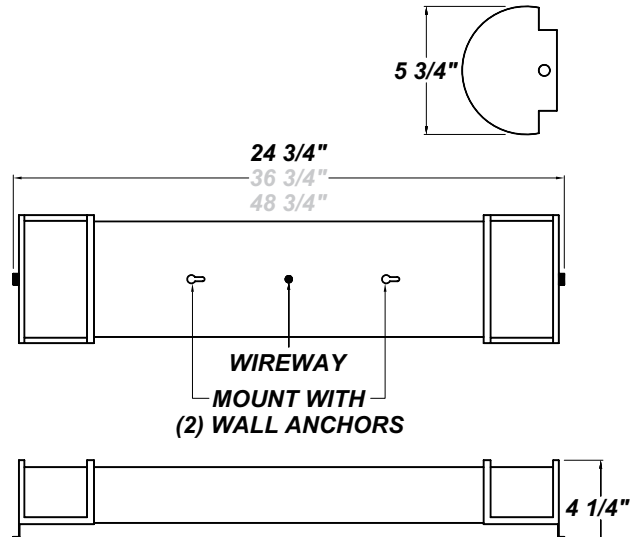
## FEATURES

- Die-Formed Cold-Rolled Steel End Caps w/ Brushed Nickel Plated Finish
- ETL Listed Fixture
- LED Light Fixture
- Luminous White Acrylic Diffuser
- Mounts Directly to Surface w/ Two Wall Anchors
- Steel Housing w/ Hi-Reflectance White Powder Coat Finish



## LINE DRAWING

LINE DRAWING NOT TO SCALE



## FINISHES

Brushed Nickel



# DUNLOP BFP LED 24"

Architectural Indoor



Fixture Core

PROJECT:	
TYPE:	
PO#:	QTY:
COMMENTS:	

PRODUCT CODE	SOURCE/WATTAGE	VOLTAGE	DIMMING DRIVER
DPB24 - Dunlop BFP 24"	L23.0 - 700mADriver	120-277V	Not Applicable
ORDER INFO			
DPB24 Example ^	L23.0	120-277V	Not Applicable

Aesthetics & Options

TRIM	FINISH	COLOR TEMP	OPTIONS
Not Applicable	BN - Brushed Nickel Plate (Standard)	30K - 3000K Color Temp 40K - 4000K Color Temp	Not Applicable
ORDER INFO			
Not Applicable Example ^	BN	30K	Not Applicable

PROD	SOURCE	30K SPECS	40K SPECS			
DPB 24"	L23.0	<ul style="list-style-type: none"> <li>30K - 3000K Color Temp</li> <li>1785 LED Source Lumens</li> <li>77.6 LED Source Lumens Per Watt</li> </ul>	<ul style="list-style-type: none"> <li>40K - 4000K Color Temp</li> <li>1850 LED Source Lumens</li> <li>80.4 LED Source Lumens Per Watt</li> </ul>			

REPLACEMENT PART	PART NO	NOTES
24" White Acrylic LED Lens Assembly	38201	



TERONLIGHTING.COM  
 33 DONALD DR, FAIRFIELD, OH 45014  
 P: 513.858.6004 F: 513.858.6038  
 E: SALES@TERONLIGHT.COM

We reserve the right to revise the design components of any product due to parts availability or change in UL standards, without assuming any obligation or liability to modify any products previously manufactured, and without notice.