

ASCOTT BFP LED 14"

Architectural Outdoor



PROJECT:	
TYPE:	
PO#:	QTY:
COMMENTS:	

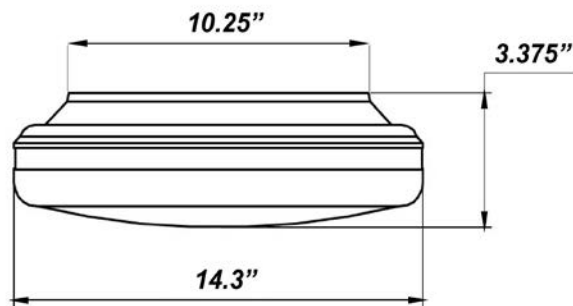
FEATURES

- 2 Side Conduit Entry Points
- ADA Compliant
- ETL/cETL Listed Wet Location for Wall or Ceiling
- Energy Star
- Mounts Directly to Surface w/ Two Wall Anchors
- Injection Molded Polycarbonate Housing w/ White Finish
- LED Light Fixture
- Luminous White Polycarbonate Diffuser



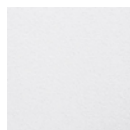
LINE DRAWING

LINE DRAWING NOT TO SCALE



FINISHES

White



ASCOTT BFP LED 14"

Architectural Outdoor



Fixture Core

PROJECT:	
TYPE:	
PO#:	QTY:
COMMENTS:	

PRODUCT CODE	SOURCE/WATTAGE	VOLTAGE	DIMMING DRIVER
AT14 - Ascott 14"	L23.0-700 - (1) 23.0W @ 700mA	120V - 277V	Not Applicable
ORDER INFO			
AT14 Example ^	L23.0-700	120-277V	Not Applicable

Aesthetics & Options

TRIM	FINISH	COLOR TEMP	OPTIONS
Not Applicable	WH - White (Standard)	40K - 4000K Color Temp. 50K - 5000K Color Temp.	Not Applicable
ORDER INFO			
Not Applicable Example ^	WH	40K	Not Applicable

PROD	SOURCE	40K SPECS				
AT14	L23.0	<ul style="list-style-type: none"> 40K - 4000K Color Temp 2200 LED Source Lumens 95.7 LED Source Lumens Per Watt 				

REPLACEMENT PART	PART NO	NOTES
		L70 >35,000 hrs Minimum Starting Temperature = -20 Degrees C



TERONLIGHTING.COM
 33 DONALD DR, FAIRFIELD, OH 45014
 P: 513.858.6004 F: 513.858.6038
 E: SALES@TERONLIGHT.COM

We reserve the right to revise the design components of any product due to parts availability or change in UL standards, without assuming any obligation or liability to modify any products previously manufactured, and without notice.