



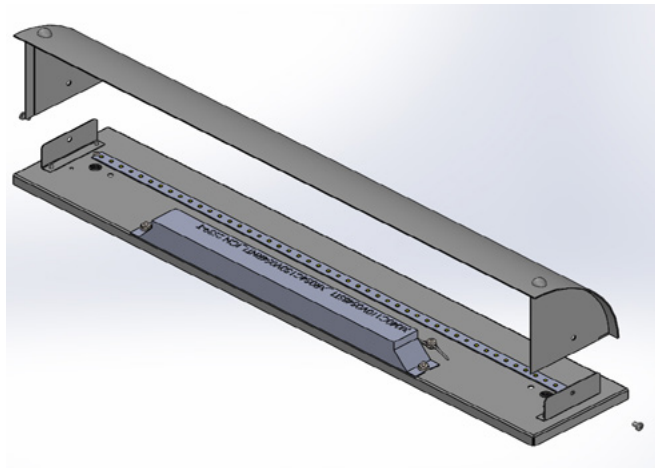
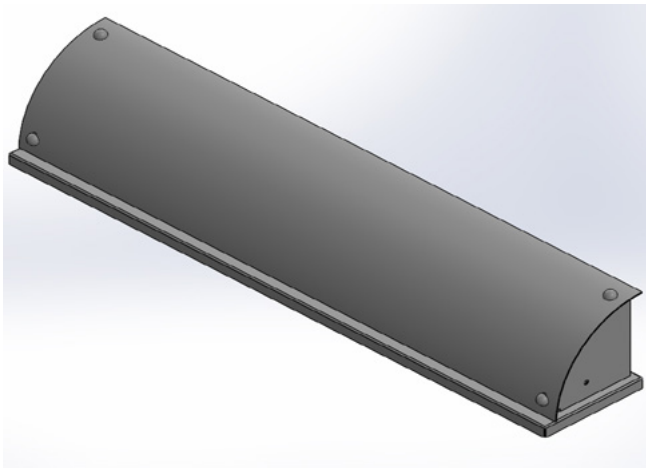
## INSTALLATION & MAINTENANCE INSTRUCTIONS COPPER CREEK LED

ARCHITECTURAL VANITY

P.N. 76189

**WARNING:** DISCONNECT POWER PRIOR TO INSTALLATION OR SERVICING OF FIXTURE

*NOTE: THIS PRODUCT MUST BE INSTALLED IN ACCORDANCE WITH THE APPLICABLE LOCAL & NATIONAL ELECTRICAL CODES BY A PERSON FAMILIAR WITH THE CONSTRUCTION AND FAMILIAR WITH THE OPERATION OF THE PRODUCT AND HAZARDS INVOLVED.*



### **INSTALLATION**

1. Remove any excess packing from the fixture.
2. Remove the two 8-32 x 3/8" screws from the side of the fixture.
3. Copper Creek is designed to be mounted directly to the wall with (2) anchors. There are (2) mount holes in housing. Measure the distance between the holes, & mark the surface for each housing to be installed.
4. Pull the supply leads into the jbox, and mount the housing to the wall with anchors. All connections in the Copper Creek must be made inside the j-box (not supplied).
5. Connect the fixture leads to the supply leads. Teron stipulates the Black as Line, White as Common, and Bare/Green as ground.
6. Check the re-lamp label to ensure that the lamp is the specified wattage. Energize the fixture to check proper operation.

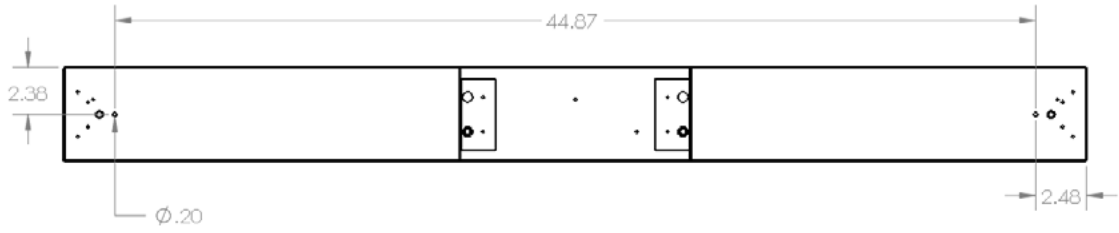
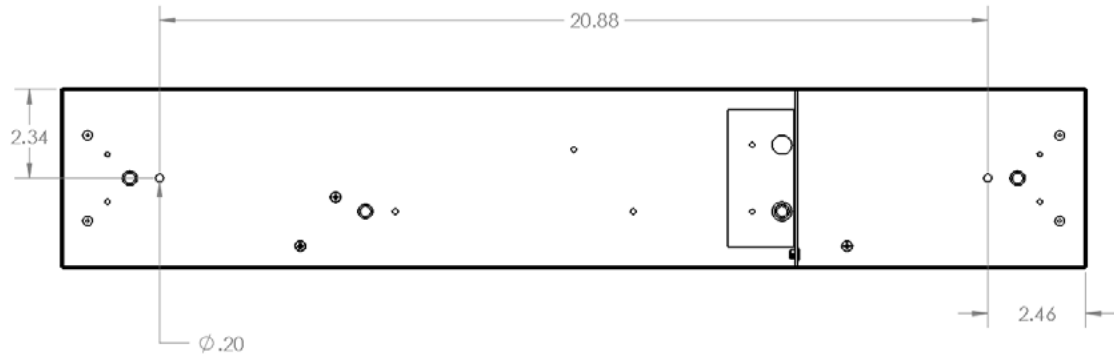
### **MAINTENANCE**

DO NOT use cleansers containing bleach.

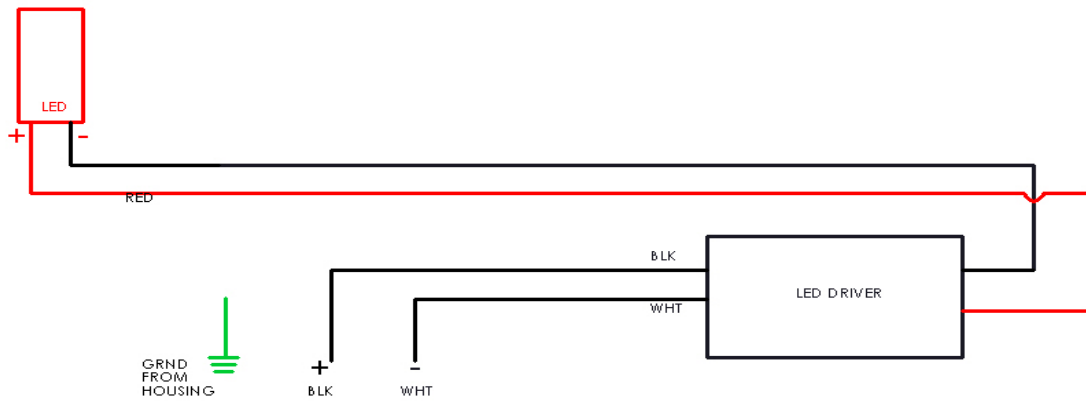
The metal portion of the fixture can be wiped clean as needed using a mild soap solution.

### **ATTENTION**

Avoid moving any exposed wires. If any wires are accidentally disconnected, call a professional to repair.



**WIRING DIAGRAM**



**ONE DRIVER ONE MODULE WIRING DIAGRAM**