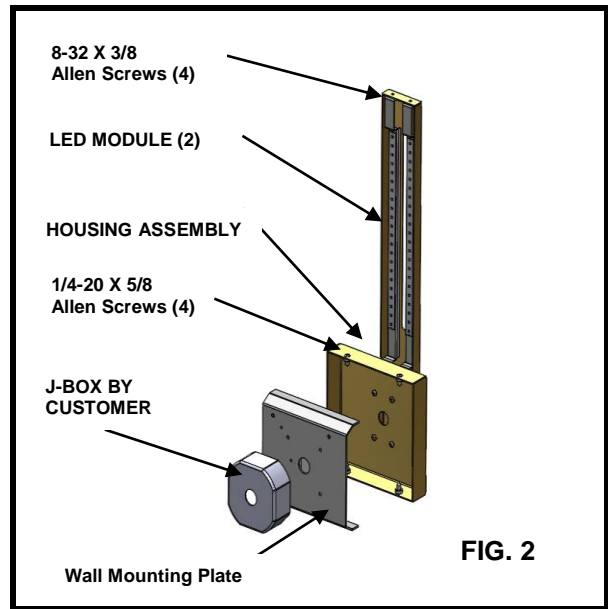
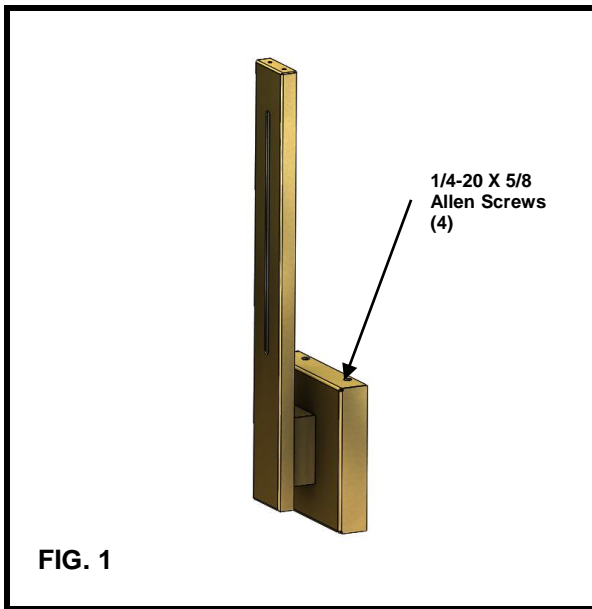




**INSTALLATION & MAINTENANCE INSTRUCTIONS  
FOR THE  
CORDOVA – LED-SGL  
Wall Mounted Luminaire P.N.:76146 REV.1**

**WARNING:** DISCONNECT POWER PRIOR TO INSTALLATION OR SERVICING OF FIXTURE

**NOTE:** THIS PRODUCT MUST BE INSTALLED IN ACCORDANCE WITH THE APPLICABLE LOCAL & NATIONAL ELECTRICAL CODES BY A PERSON FAMILIAR WITH THE CONSTRUCTION AND FAMILIAR WITH THE OPERATION OF THE PRODUCT AND HAZARDS INVOLVED.

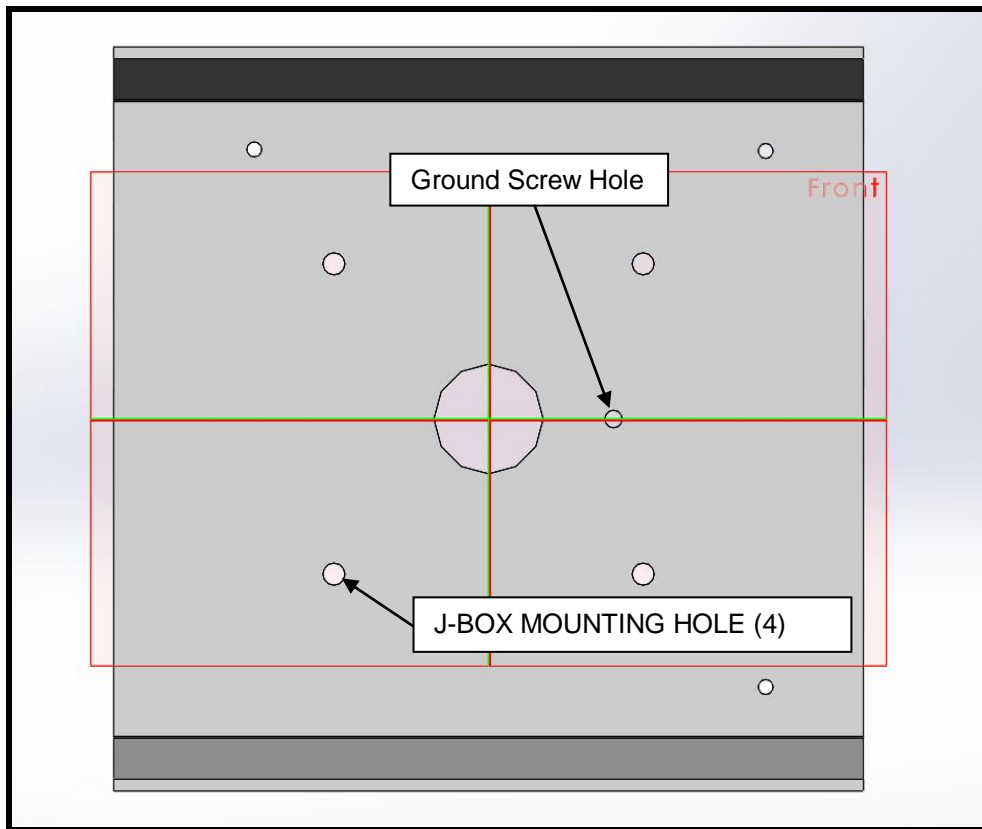


**INSTALLATION**

1. Remove any excess packing from the fixture.
2. Remove the Housing Assembly from wall mounting plate (in Figure 2) by loosening the (4) 1/4-20 X 5/8 Allen Screws. See (Figure 1)
3. Pull the supply leads through the center hole in the Wall Mounting Plate.
4. Attach the Wall Mounting Plate to junction box using (2) #8-32 X 1" PH screws.
5. Connect the fixture leads to the supply leads. Teron stipulates the Black as Line, White as Common, and Bare/Green as ground.
6. Reassemble fixture by reattaching the Housing Assembly to the Wall Mounting Plate and securing the assembly in place with (4) 1/4-20 x 5/8 Allen Screws

**MAINTENANCE**

DO NOT use cleansers containing bleach.  
The metal portion of the fixture can be wiped clean as needed using a mild soap solution.  
**ATTENTION:** Avoid moving any exposed wires. If any wires are accidentally disconnected, call a professional to repair.



**NOTE:** Fixture is to be mounted to the junction box using 8-32 x .75 screws

