

SURE SHOT N LED 36"

Architectural Indoor



PROJECT:	
TYPE:	
PO#:	QTY:
COMMENTS:	

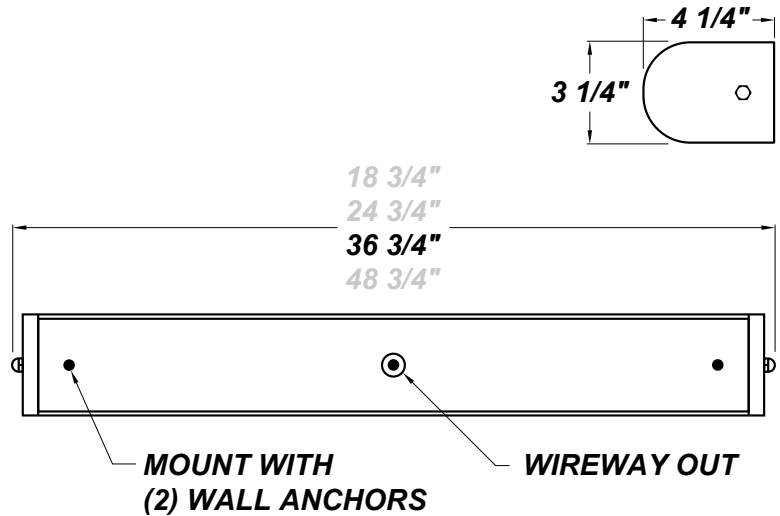
FEATURES

- CSA Listed Damp Location For Surface Mount
- LED Light Fixture
- Mounts Directly to Surface w/ Two Wall Anchors (Not Included)
- Ribbed White Acrylic Lens
- Steel End Caps w/ White Powder Coat Finish
- Steel Housing w/ White Powder Coat Finish
- Steel Mounting Pan w/ Hi-Reflectance White Powder Coat Finish



LINE DRAWING

LINE DRAWING NOT TO SCALE



FINISHES

Antique Copper	Antique Silver	Bronze Mist	Gloss White	Matte Silver	Sand
Swedish Steel	Textured Black	Textured Bronze	Textured White		

For RAL Colors & Custom Match - Contact Teron Lighting Inc.

SURE SHOT N LED 36"

Architectural Indoor



Fixture Core

PROJECT:	
TYPE:	
PO#:	QTY:
COMMENTS:	

PRODUCT CODE	SOURCE/WATTAGE	VOLTAGE	DIMMING DRIVER
SSN36 - Sure Shot N 36"	L35.7-ZE1050 - 35.7W Strips @ 1050mA Line Voltage 4-Wire Dimming Driver (Dimmable 0 - 10V)	120V 277V (50 / 60Hz)	Not Applicable
ORDER INFO			
SSN36 Example ^	L35.7-ZE1050	120V	Not Applicable

Aesthetics & Options

TRIM	FINISH	COLOR TEMP	OPTIONS
Not Applicable	AC - Antique Copper Bronze AS - Antique Silver TW - Textured White BT - Bronze Mist WH - Gloss White (Standard) CH - Chrome Plated SM - Matte Silver SN - Sand SW - Swedish Steel TB - Textured Black BZ - Textured	30K - 3000K Color Temp 35K - 3500K Color Temp 40K - 4000K Color Temp 50K - 5000K Color Temp	F - Single Fuse 120/277V
ORDER INFO			
Not Applicable Example ^	AC	27K	F

PROD	SOURCE	30K SPECS				
SS36N	L35.7	<ul style="list-style-type: none"> 30K - 3000K Color Temp 5217 LED Source Lumens 146.1 LED Source Lumens Per Watt 				

REPLACEMENT PART	PART NO	NOTES
36" White Ribbed Acrylic Diffuser	3037760	Don't see the configuration you are looking for? Call us today at (513) 858-6004



TERONLIGHTING.COM
 33 DONALD DR, FAIRFIELD, OH 45014
 P: 513.858.6004 F: 513.858.6038
 E: SALES@TERONLIGHT.COM



We reserve the right to revise the design components of any product due to parts availability or change in UL standards, without assuming any obligation or liability to modify any products previously manufactured, and without notice.