

ORION MSI LED 46"

Architectural Indoor



PROJECT:	
TYPE:	
PO#:	QTY:
COMMENTS:	

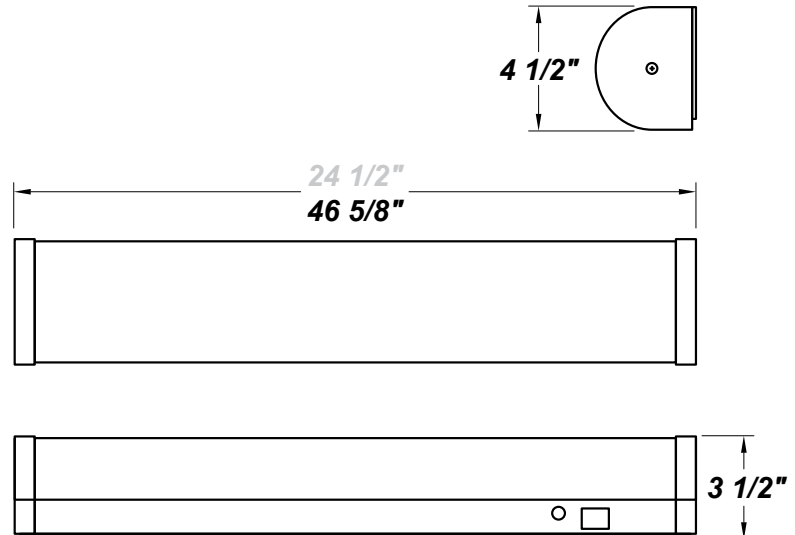
FEATURES

- [Internal Motion Sensor](#)
- Steel Mount Pan & End Caps w/ Textured White Powder Coat Finish
- Luminous White Acrylic Diffuser
- Mounts Directly to Surface w/ 2 Wall Anchors (Not Included)
- ADA Compliant
- CSA Dry Location For Wall or Ceiling Mount
- Emergency Battery Available
- LED Light Fixture

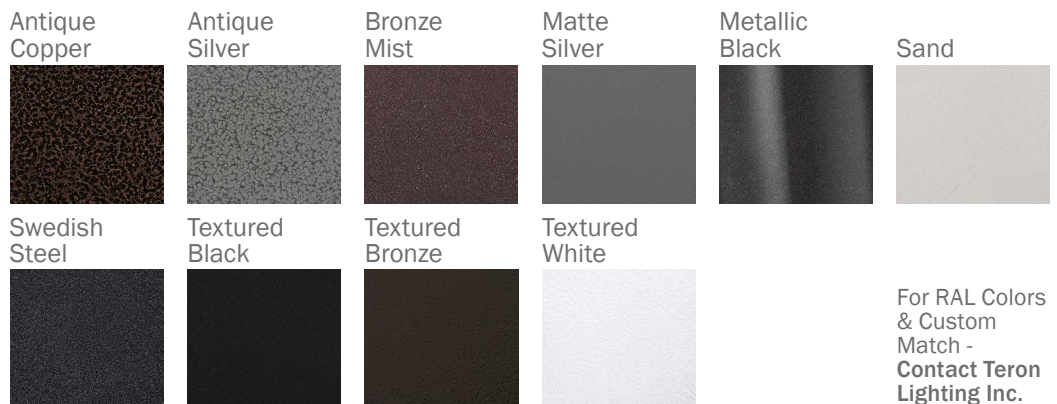


LINE DRAWING

LINE DRAWING NOT TO SCALE



FINISHES



ORION MSI LED 46"

Architectural Indoor



Fixture Core

PROJECT:	
TYPE:	
PO#:	QTY:
COMMENTS:	

PRODUCT CODE	SOURCE/WATTAGE	VOLTAGE	DIMMING DRIVER
ORN48 - Orion 46"	L32.0-ZE1100 - (1) 32.0W (44) LED Strip @ 1100mA 0-10V Dimming Driver L37.0-LT1300 - (1) 37.0W (44) LED Strip @ 1300mA ELV Dimming Driver	120-277V (50 / 60Hz)	Not Applicable
ORDER INFO			
ORN48 Example ^	L32.0-ZE1100	120-277V	Not Applicable

Aesthetics & Options

TRIM	FINISH	COLOR TEMP	OPTIONS
MSI - WattStopper FS-155 Internal Motion Sensor	AC - Antique Copper AS - Antique Silver BT - Bronze Mist BZ - Textured Bronze MB - Metallic Black SN - Sand SM - Matte Silver SW - Swedish Steel TB - Textured Black TW - Textured White (Standard)	30K - 3000K Color Temp 35K - 3500K Color Temp 40K - 4000K Color Temp 50K - 5000K Color Temp	EB - Integral Emergency Battery
ORDER INFO			
MSI Example ^	AC	30K	EB

PROD	SOURCE	30K SPECS			
ORN48	L32.0	<ul style="list-style-type: none"> 80 CRI Typ 30K - 3000K Color Temp 3917 LED Source Lumens 122.4 LED Source Lumens Per Watt 			
	L37.0	<ul style="list-style-type: none"> 30K - 3000K Color Temp 4487 LED Source Lumens 121.3 LED Source Lumens Per Watt 			

REPLACEMENT PART	PART NO	NOTES
White Acrylic Lens	3058160	
		Don't see the configuration you are looking for? Call us today at (513) 858-6004



TERONLIGHTING.COM
 33 DONALD DR, FAIRFIELD, OH 45014
 P: 513.858.6004 F: 513.858.6038
 E: SALES@TERONLIGHT.COM



We reserve the right to revise the design components of any product due to parts availability or change in UL standards, without assuming any obligation or liability to modify any products previously manufactured, and without notice.