

CIMMARON SM LED

Architectural Outdoor



PROJECT:	
TYPE:	
PO#:	QTY:
COMMENTS:	

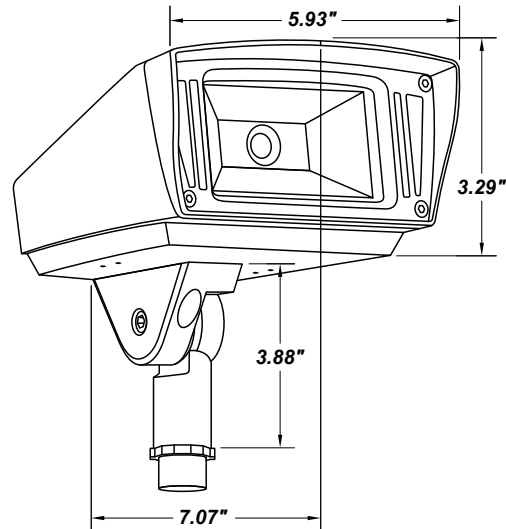


FEATURES

- 6 Year Limited Warranty
- 80 CRI
- Cast Aluminum Housing w/ Polyester Powder Coat Finish
- Center-to-Edge Uniformity and Enhanced Beam Control
- ETL Listed Wet Location
- Integrated 4kv Surge Protection
- Integrated Cowl
- IP66 Rated - Dust and Waterproof
- LED Light Fixture
- Reinforced Knuckle Mount (Standard)
- Single LED Chip-on-Board Light Source
- Three-Step Binning For Tight Color Consistency
- Vandal Resistant
- Water Draining Front End

LINE DRAWING

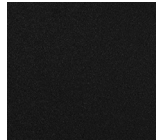
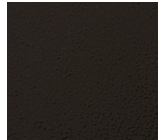
LINE DRAWING NOT TO SCALE



FINISHES

Textured Architectural Bronze

Textured Black



CIMMARON SM LED

Architectural Outdoor



Fixture Core

PROJECT:	
TYPE:	
PO#:	QTY:
COMMENTS:	

PRODUCT CODE	SOURCE/WATTAGE	VOLTAGE	DIMMING DRIVER
CMS - Cimmaron Small	L12.0 - 12.0W LED Fixture L23.0 - 23.0W LED Fixture	120 - 277V	Not Applicable
ORDER INFO			
CMS	L12.0	120-277V	Not Applicable

Example ^ (may not represent a manufacturable product)

Aesthetics & Options

TRIM	FINISH	COLOR TEMP	OPTIONS
Not Applicable	BZ - Textured Architectural Bronze TB - Textured Black	30K - 3000K Color Temp 40K - 4000K Color Temp	SL - Slip-Fit Mount TR - Trunnion Mount
ORDER INFO			
Not Applicable	BZ	30K	SL

Example ^ (may not represent a manufacturable product)

PROD	SOURCE	30K SPECS	40K SPECS			
CMS	L12.0	<ul style="list-style-type: none"> • 30K - 3000K Color Temp • 1119 Delivered LED Lumens • 89 Delivered LED Lumens Per Watt 	<ul style="list-style-type: none"> • 40K - 4000K Color Temp • 1210 Delivered LED Lumens 			
	L23.0	<ul style="list-style-type: none"> • 30K - 3000K Color Temp • 2049 Delivered LED Lumens • 86 Delivered LED Lumens per Watt 	<ul style="list-style-type: none"> • 40K - 4000K Color Temp • 2082 Delivered LED Lumens • 100 Delivered LED Lumens Per Watt 			

REPLACEMENT PART	PART NO	NOTES
Not Applicable	Not Applicable	Don't see the configuration you are looking for? Call us today at (513) 858-6004



TERONLIGHTING.COM
 33 DONALD DR, FAIRFIELD, OH 45014
 P: 513.858.6004 F: 513.858.6038
 E: SALES@TERONLIGHT.COM

We reserve the right to revise the design components of any product due to parts availability or change in UL standards, without assuming any obligation or liability to modify any products previously manufactured, and without notice.