

CIMMARON MD LED

Architectural Outdoor



PROJECT:	
TYPE:	
PO#:	QTY:
COMMENTS:	

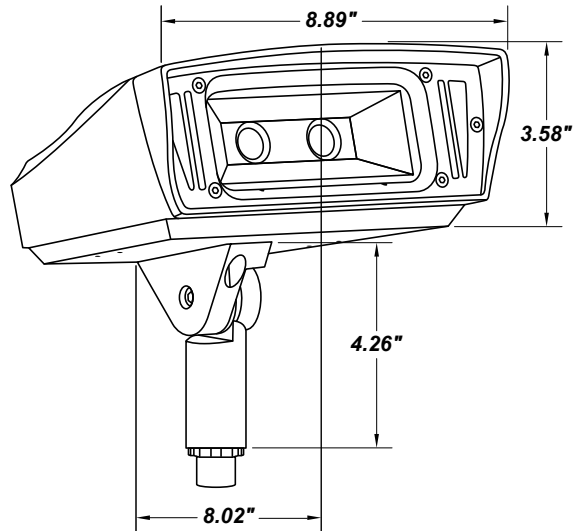


FEATURES

- Cast Aluminum Housing w/ Polyester Powder Coat Finish
- Reinforced Knuckle (Standard)
- Water Draining Front End
- Integrated Cowl
- Integrated 4kv Surge Protection
- IP66 Rated - Dust and Waterproof
- Single LED Chip-on-Board Light Source
- Center-to-Edge Uniformity and Enhanced Beam Control
- Three-Step Binning For Tight Color Consistency
- 6 Year Limited Warranty
- 80 CRI
- ETL Listed Wet Location
- LED Light Fixture
- Vandal Resistant

LINE DRAWING

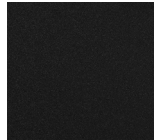
LINE DRAWING NOT TO SCALE



FINISHES

Textured Architectural Bronze

Textured Black



For RAL Colors & Custom Match - Contact Teron Lighting Inc.

CIMMARON MD LED

Architectural Outdoor



Fixture Core

PROJECT:	
TYPE:	
PO#:	QTY:
COMMENTS:	

PRODUCT CODE	SOURCE/WATTAGE	VOLTAGE	DIMMING DRIVER
CMM - Cimmaron Medium	L33.5 - 33.5W LED Fixture L52.0 - 52.0W LED Fixture	120 - 277V	Not Applicable
ORDER INFO			
CMM	L33.5	120-277V	Not Applicable

Example ^ (may not represent a manufacturable product)

Aesthetics & Options

TRIM	FINISH	COLOR TEMP	OPTIONS
Not Applicable	BZ - Textured Architectural Bronze TB - Textured Black	30K - 3000K Color Temp 40K - 4000K Color Temp	SL - Slip-Fit Mount TR - Trunnion Mount
ORDER INFO			
Not Applicable	BZ	30K	SL

Example ^ (may not represent a manufacturable product)

PROD	SOURCE	30K SPECS	40K SPECS
CMM	L33.5	<ul style="list-style-type: none"> 30K - 3000K Color Temp 3287 Delivered LED Lumens 99 Delivered LED Lumens Per Watt 	<ul style="list-style-type: none"> 40K - 4000K Color Temp 3495 Delivered LED Lumens 104 Delivered LED Lumens Per Watt
	L52.0	<ul style="list-style-type: none"> 30K - 3000K Color Temp, 4496 Delivered LED Lumens 89 Delivered LED Lumens Per Watt 	<ul style="list-style-type: none"> 40K - 4000K Color Temp 4795 Delivered LED Lumens 94 Delivered LED Lumens Per Watt

REPLACEMENT PART	PART NO	NOTES
Not Applicable	Not Applicable	Don't see the configuration you are looking for? Call us today at (513) 858-6004



TERONLIGHTING.COM
 33 DONALD DR, FAIRFIELD, OH 45014
 P: 513.858.6004 F: 513.858.6038
 E: SALES@TERONLIGHT.COM



We reserve the right to revise the design components of any product due to parts availability or change in UL standards, without assuming any obligation or liability to modify any products previously manufactured, and without notice.