

CIMMARON LG LED

Architectural Outdoor



PROJECT:	
TYPE:	
PO#:	QTY:
COMMENTS:	

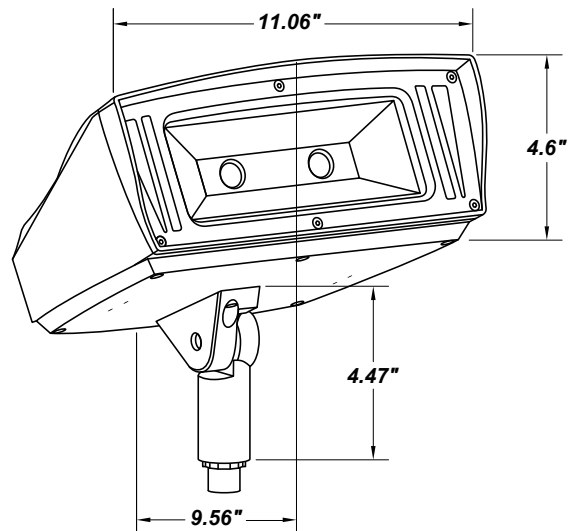


FEATURES

- Cast Aluminum Housing w/ Polyester Powder Coat Finish
- Reinforced Knuckle (Standard)
- Water Draining Front End
- Integrated Cowl
- Integrated 4kv Surge Protection
- IP66 Rated - Dust and Waterproof
- Single LED Chip-on-Board Light Source
- Center-to-Edge Uniformity and Enhanced Beam Control
- Three-Step Binning For Tight Color Consistency
- 6 Year Limited Warranty
- 80 CRI
- ETL Listed Wet Location
- LED Light Fixture
- Vandal Resistant

LINE DRAWING

LINE DRAWING NOT TO SCALE

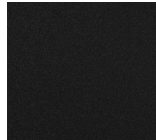


FINISHES

Textured Architectural Bronze



Textured Black



For RAL Colors & Custom Match - Contact Teron Lighting Inc.

CIMMARON LG LED

Architectural Outdoor



Fixture Core

PROJECT:	
TYPE:	
PO#:	QTY:
COMMENTS:	

PRODUCT CODE	SOURCE/WATTAGE	VOLTAGE	DIMMING DRIVER
CML - Cimmaron Large	L85.0 - 85.0W LED Fixture	120 - 277V	Not Applicable
ORDER INFO			
CML	L85.0	120-277V	Not Applicable

Example ^ (may not represent a manufacturable product)

Aesthetics & Options

TRIM	FINISH	COLOR TEMP	OPTIONS
Not Applicable	BZ - Textured Architectural Bronze TB - Textured Black	30K - 3000K Color Temp 40K - 4000K Color Temp	SL - Slip-Fit Mount TR - Trunnion Mount
ORDER INFO			
Not Applicable	BZ	30K	SL

Example ^ (may not represent a manufacturable product)

PROD	SOURCE	30K SPECS	40K SPECS			
CML	L85.0	<ul style="list-style-type: none"> 30K - 3000K Color Temp 7529 Delivered LED Lumens 89 Delivered LED Lumens Per Watt 	<ul style="list-style-type: none"> 40K - 4000K Color Temp 8613 Delivered LED Lumens 102 Delivered LED Lumens Per Watt 			

REPLACEMENT PART	PART NO	NOTES
Not Applicable	Not Applicable	Don't see the configuration you are looking for? Call us today at (513) 858-6004



TERONLIGHTING.COM
 33 DONALD DR, FAIRFIELD, OH 45014
 P: 513.858.6004 F: 513.858.6038
 E: SALES@TERONLIGHT.COM



We reserve the right to revise the design components of any product due to parts availability or change in UL standards, without assuming any obligation or liability to modify any products previously manufactured, and without notice.