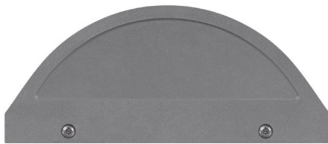
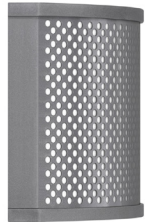
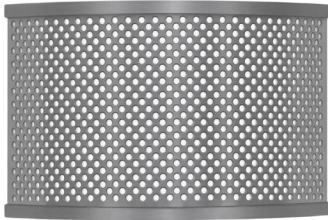


# GUARDIAN M CNC LED

Architectural Outdoor



PROJECT:	
TYPE:	
PO#:	QTY:
COMMENTS:	

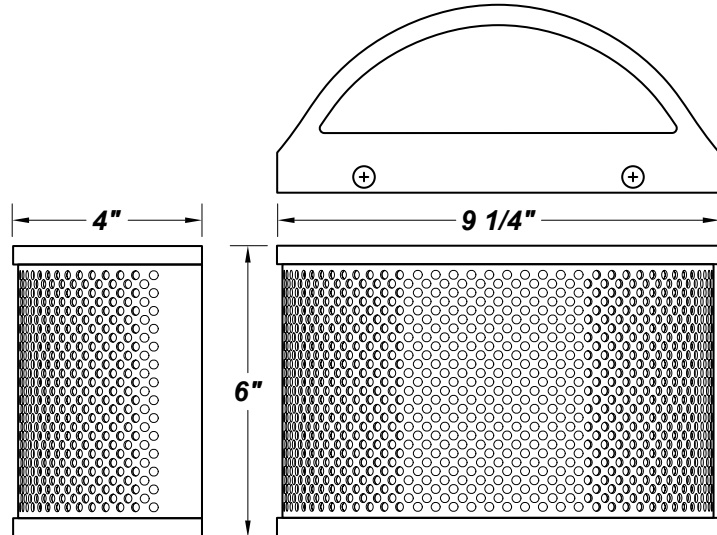


## FEATURES

- Extruded Aluminum Housing w/ Matte Silver Polyester Powder Coat Finish
- Die Cast Aluminum End Caps w/ Matte Silver Polyester Powder Coat Finish
- High Impact White Acrylic Diffuser (50% DR Acrylic)
- Aluminum LED Mounting Plate
- Recessed Stainless Steel Screws
- Fixture Mounts Directly to Surface w/ Two Wall Anchors (Not Included)
- ADA Compliant
- CSA Listed Wet Location For Wall Mount Only
- LED Light Fixture
- Vandal Resistant

## LINE DRAWING

LINE DRAWING NOT TO SCALE



## FINISHES

Antique Copper	Antique Silver	Bronze Mist	Matte Silver	Metallic Black	Sand
Swedish Steel	Textured Black	Textured Bronze	Textured White		

For RAL Colors & Custom Match - Contact Teron Lighting Inc.

# GUARDIAN M CNC LED

Architectural Outdoor



Fixture Core

PROJECT:	
TYPE:	
PO#:	QTY:
COMMENTS:	

PRODUCT CODE	SOURCE/WATTAGE	VOLTAGE	DIMMING DRIVER
GRDM - Guardian M	<b>L12.3-350mA</b> - 12.3W @350mA Constant Current Driver  <b>L12.3-TE350</b> - 12.3W @350mA ELV Low Voltage 2-Wire Electronic Driver, (Drivers Dimmable at 120V or 277V With Either Triac or Electronic Dimmers)	<b>120 - 277V</b>	<b>Not Applicable</b>
ORDER INFO			
GRDM	L12.3-350mA	120 - 277V	Not Applicable

Example ^ (may not represent a manufacturable product)

Aesthetics & Options

TRIM	FINISH	COLOR TEMP	OPTIONS
CNC - Concorde	<b>AC</b> - Antique Copper <b>TB</b> - Textured Black <b>AS</b> - Antique Silver <b>BT</b> - Bronze Mist <b>BZ</b> - Textured Bronze <b>MB</b> - Metallic Black <b>TW</b> - Textured White <b>SM</b> - Matte Silver (Standard) <b>SN</b> - Sand <b>SW</b> - Swedish Steel	<b>27K</b> - 2700K Color Temp <b>30K</b> - 3000K Color Temp <b>35K</b> - 3500K Color Temp <b>40K</b> - 4000K Color Temp <b>50K</b> - 5000K Color Temp	<b>SP</b> - Surge Protector <b>OEL</b> - Single End Window <b>TEL</b> - Twin End Windows (Both Ends)
ORDER INFO			
CNC	AC	27K	SP

Example ^ (may not represent a manufacturable product)

PROD	SOURCE				
GRDM	L12.3	<ul style="list-style-type: none"> <li>• 80 CRI Typ.</li> <li>• 30K - 3000K Color Temp</li> <li>• 1740 LED Source Lumens</li> <li>• 141.5 LED Source Lumens Per Watt</li> </ul>			

REPLACEMENT PART	PART NO	NOTES
White Acrylic LED Lens	3036460	

Don't see the configuration you are looking for?  
Call us today at (513) 858-6004



TERONLIGHTING.COM  
33 DONALD DR, FAIRFIELD, OH 45014  
P: 513.858.6004 F: 513.858.6038  
E: SALES@TERONLIGHT.COM



We reserve the right to revise the design components of any product due to parts availability or change in UL standards, without assuming any obligation or liability to modify any products previously manufactured, and without notice.